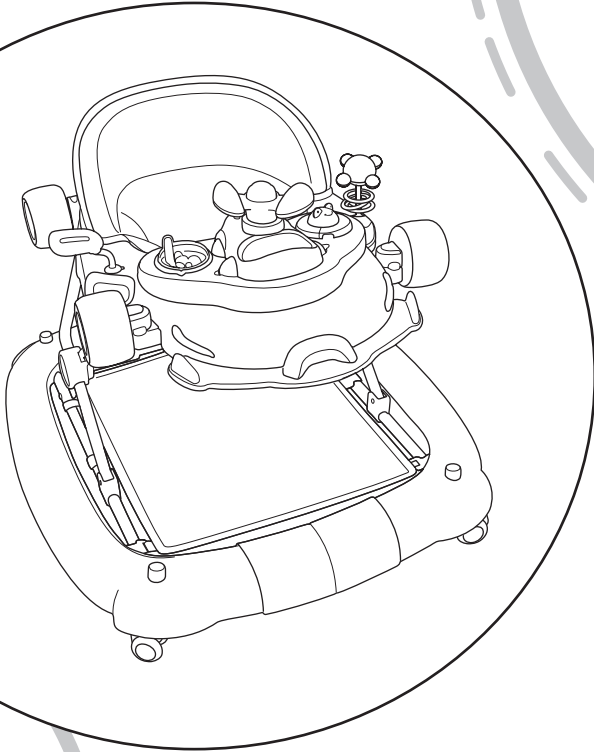


MY CHILD[®]

F1 Ace Sport
2-in-1 Baby walker



INSTRUCTIONS: Read the instructions carefully before use and keep them for future reference. The child may be hurt if you do not follow these instructions.

BS EN 1273:2005.

This baby walking frame is intended to be used by children who can sit up unaided, approximately from 6 months. It is not intended for children who can walk by themselves and weigh more than 12Kg/26.5lbs.

Your 3 year warranty

Whilst we make and test our products to the highest standards of durability there's always a small chance of a hiccup! Our promise is to repair, replace or refund a MyChild product that has an identified manufacturing defect from the date of purchase for a full 3 years thereafter at no extra cost.

However, you must register within 28 days of the date of purchase to receive the full 3 years guarantee!

To receive your full guarantee you can register your product by: visiting www.mychildonline.co.uk/warranty.html and complete the warranty form, or by telephone on 0161 335 2508.

Safety instructions

Warning: Never leave the child unattended.

Warning: The child will be able to reach further and move rapidly when in the baby walking frame:

- Prevent access to stairs, steps and uneven surfaces.
- Guard all fires, heating and cooking appliances.
- Remove hot liquids, electrical flexes and other potential hazards from reach.
- Prevent collisions with glass in doors, windows and furniture.
- Do not use the baby walking frame if any components are broken or missing.
- This baby walking frame should be used only for short periods of time (e.g. 20 min).
- This baby walking frame is intended to be used by children who can sit up unaided, approximately from 6 months. It is not intended for children weighing more than 12Kg/26.5lbs.
- Do not use replacement parts other than those approved by the manufacturer or distributor as this may make the walker unsafe and will invalidate the warranty.
- Never use the baby walking frame without the supplied anti-fall blocks attached.
- Never use the baby walking frame without the supplied wheels attached.

Battery warnings

Always take care to insert your batteries correctly, observing the plus(+) and minus(-) marks on the battery and appliance.

Do not mix new and used batteries.

Do not mix different types of batteries.

Always remove dead batteries and all batteries if you are not going to use the product for long periods (as batteries may leak and cause damage).

Exhausted batteries should be removed from the product and disposed of in accordance with the makers recommendations.

Only place batteries marked alkaline in normal household waste.

Never attempt to re-charge ordinary (non-rechargeable) batteries.

Batteries should always be changed by an adult.

Keep batteries out of reach of children.

Never dispose of batteries in a fire this may cause them to explode.

Children can choke on batteries. If swallowed seek medical advise immediately.

Battery disposal

Exhausted batteries should be removed from the product and taken to a recycling facility. You can place batteries marked alkaline in normal household waste, but these are better taken to a recycling facility.

Please follow these symbols on batteries, which contain harmful substances:

Pb = Battery contains Lead

Cd = Battery contains Cadmium

Hg = Battery contains Mercury



Pb



Cd



Hg

Batteries should not be considered regular waste. Empty batteries should be returned to a recycling facility



Care and maintenance

- To prolong the life of your nursery product keep it clean and do not leave it in direct sunlight for extended periods of time.
- Removable fabric covers and trims may be cleaned using warm water with a household soap or a mild detergent. Allow it to dry fully, preferably away from direct sunlight.
- If the wheels squeak - use a silicon based spray ensuring it penetrates the wheel and axle assembly.
- Do not dry clean, or use bleach.
- Do not machine wash, tumble or spin dry, unless the care labelling on the product permits these methods.
- Non removable fabric covers and trims may be cleaned using a damp sponge with soap or mild detergent. Allow it to dry completely before folding or storing it away.
- In some climates the covers and trims may be affected by mould and mildew. To help prevent this occurring, do not fold or store the product if it is damp or wet. Always store the product in a well ventilated area.
- Always check parts regularly for tightness of screws, nuts and other fasteners - tighten if required. To maintain the safety of your nursery product, seek prompt repairs for bent, torn, worn or broken parts.

Welcome

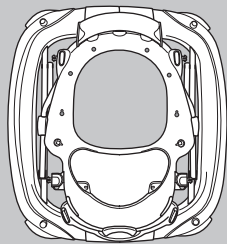
Thank you for purchasing the MyChild F1 Ace Sport 2-in-1 Baby Walker. Please read the instructions and warnings carefully before use to ensure safe and satisfactory operation of this product.

Your child's safety is your responsibility. If you have a query with this product or require replacement parts, please contact the MyChild Helpline on 0161 335 2508.

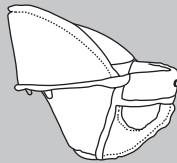
Lay out the parts on a soft level surface and compare to the part/fixings checklist below. Do not discard any packaging until you are sure that you have all the parts.

WARNING! Assembly by an adult. Keep away from children until fully assembled. Keep children clear during assembly as pack contains small parts which may present a choking hazard.

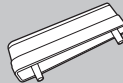
Parts checklist



1



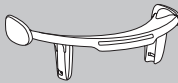
2



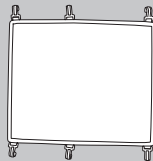
3



4



5



6



7



8



9



10



11



12



13



14



15

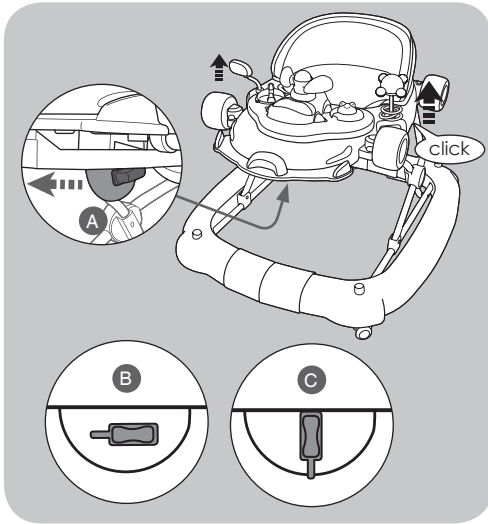
Contained in your carton are:

Nº	Part	Qty
1	Walker body	1
2	Seat unit	1
3	Anti-fall blocks	8
4	Car wheels	4
5	Rear spoiler	1
6	Footrest pad	1
7	Play tray*	1
8	Electronic toy car*	1
9	Front wheels	2
10	Rear wheels	2
11	Rear view mirror	1
12	Flexi toy*	1
13	Toy rings	3
14	Reversible frog/ mouse toy	1
15	Wheel pusher	1

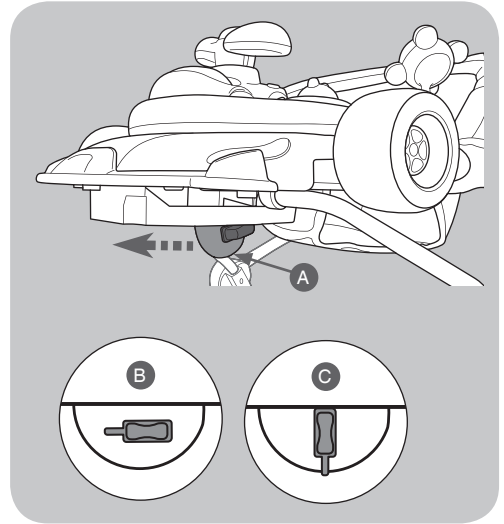
*Actual style may vary
You will require one Phillips
screwdriver (not supplied).



Opening and closing the baby walker



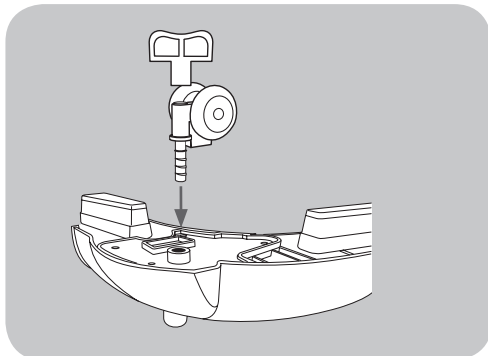
1. To open, or raise the height, ensure that block (A) is in the unlocked position (B). Hold either side of the upper part of the walker and pull upwards to one of the 3 height positions. Ensure the upper part clicks into position. When at the desired height turn the lock to the locked position (C).



2. To close or lower the height, first ensure block (A) is unlocked (B) then pull block (A) forward and lower the upper part. When at the desired height turn the lock to the locked position (C).

WARNING! NEVER adjust the height when your child is in the walker. DO NOT place your child in until you have adjusted the height and locked the height adjust lock.

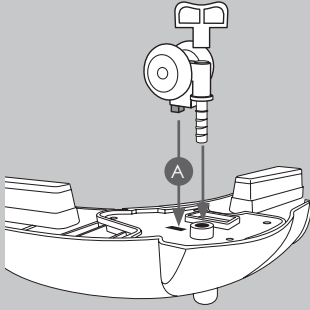
Attaching the walker's front wheels



3. With the baby walker upside down and fully folded down, insert the two front wheels into each round hole on either corner at the front of the walker.

Tip: Use the provided wheel pusher tool to press the wheels in (tap the back of the wheel pusher lightly with a hammer if required).

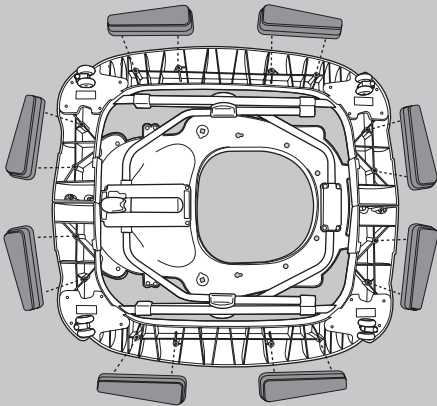
Attaching the walker's rear wheels



4. Insert the two rear wheels into each round hole on either corner at the rear of the walker, ensuring the small plastic block (A) is seated in its hole.

Tip: Use the provided wheel pusher tool to press the wheels in (tap the back of the wheel pusher lightly with a hammer if required)

Attaching the walker's anti-fall blocks

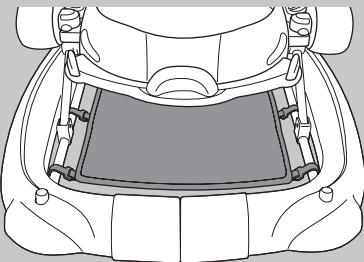


5. With the baby walker still upside down and fully folded down, place the anti-fall blocks around the walker as shown, inserting the two plastic stems on each block into the holes on the walker's underside.

ATTENTION! Ensure the narrow end of each block points to the corner of the walker.

WARNING! DO NOT USE THE WALKER WITHOUT THE ANTI-FALL BLOCKS ATTACHED

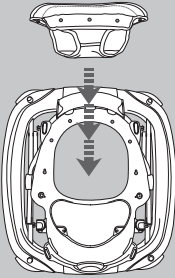
The footpad



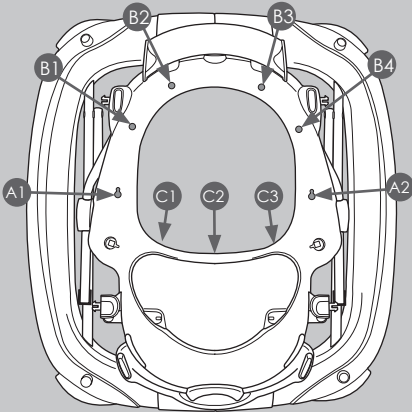
6. The footpad must be fitted in the rocker mode, and for those times when you don't want your child to travel anywhere in the walker.

Attach using the six clips on the footpad and hook over the side bars on either side of the base.

Fitting the seat unit



7. Lower the walker all the way down and place the walker on a flat level surface. Place the seat unit into the centre of the baby walker.



8. Attach all plastic connectors on the seat unit to the walker body in the following order:

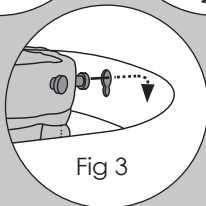
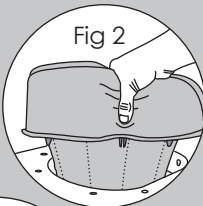
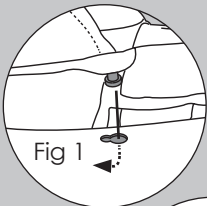
A. Starting with the seat unit's arm rest insert pins into keyhole slots (A1) and (A2), by pushing the pin into the larger end of the keyhole, then slide the shaft of the pin into the smaller end of keyhole until it clicks in place (see Fig 1).

B. Then attach the seat unit's back rest by pushing the plastic clips (B1), (B2), (B3) and (B4) into the holes. Start from one side and work your way around. Grip the back of the seat unit as low down and close to the plastic clip as possible (see Fig 2) and ensuring the clip is lined up with its hole, push the clip in.

If a clip is not protruding from the seat unit you may need to locate it and pull it through the hole in the seat cover.

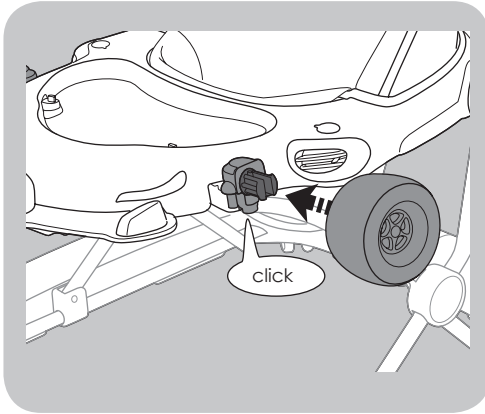
C. Finally insert the pins at the front of the seat unit into keyhole slots (C1), (C2) and (C3). (see Fig 3)

WARNING: Ensure all pins and clips are properly attached before placing your child in the seat.



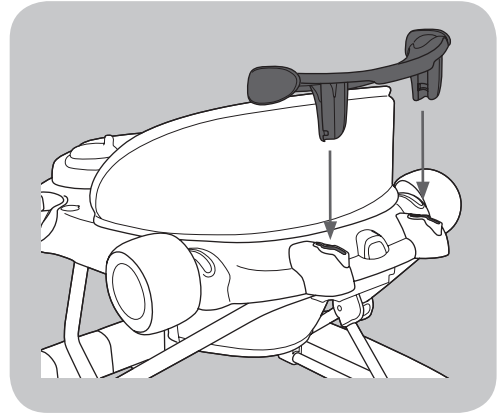
Attaching the car wheels and rear spoiler

WARNING: Assembly by an adult.



9. Push the wheels on to the axles at each corner of the car body.

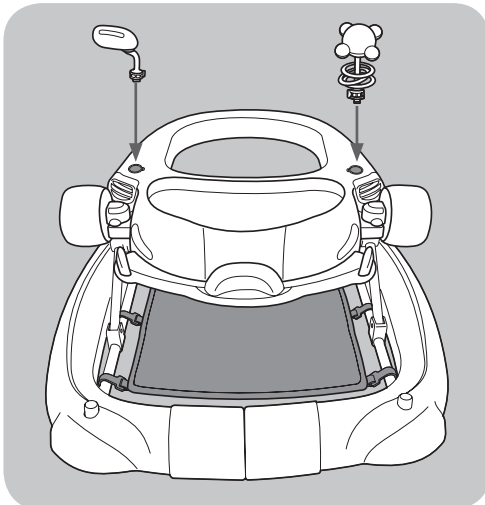
Check all wheels have clicked into place.



10. Attach the rear spoiler by pushing the two uprights on the rear spoiler into the slots at the back of the car body.

Pull the spoiler upwards to check it is firmly attached - it should not come off.

Attaching the rear view mirror and flexi-toy



WARNING: Assembly by an adult.

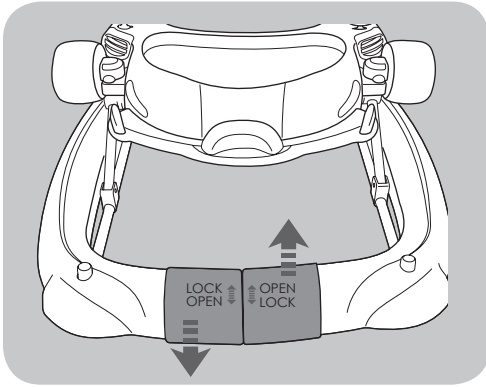
11. Insert the rear view mirror into the hole on the left as shown.

Add the three toy rings to the flexi-toy and insert the flexi-toy into the hole on the right.

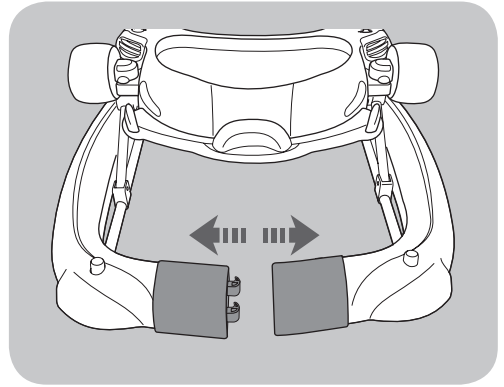
Check both toys are firmly attached by trying to pull them out - they should not be able to be pulled free.

Note: The flexi-toy shown may vary from that included with the product.

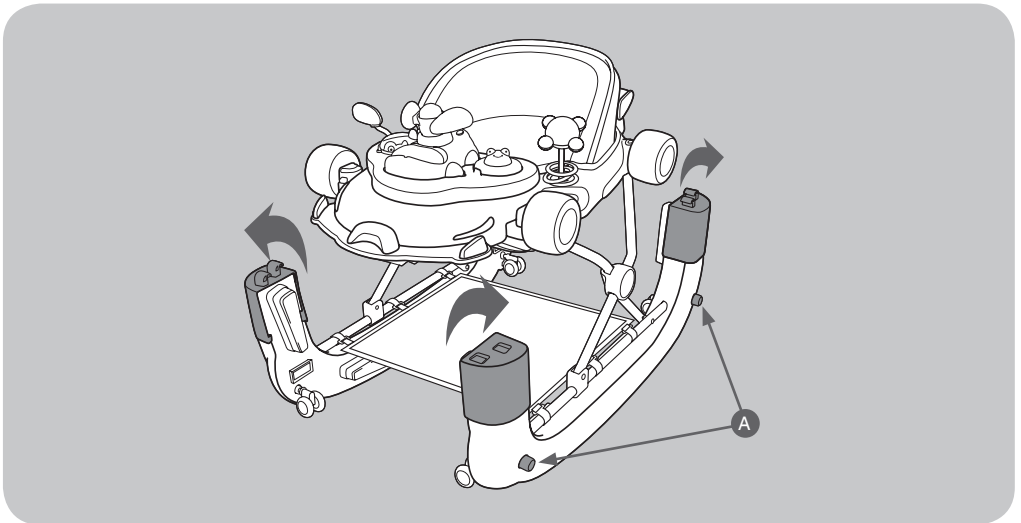
Using walker and rocker modes



12. Grip the sliding blocks at the front of the walker on the walker base and move them in opposite directions as shown.



13. Separate the blocks and repeat the procedure on the rear of the walker.

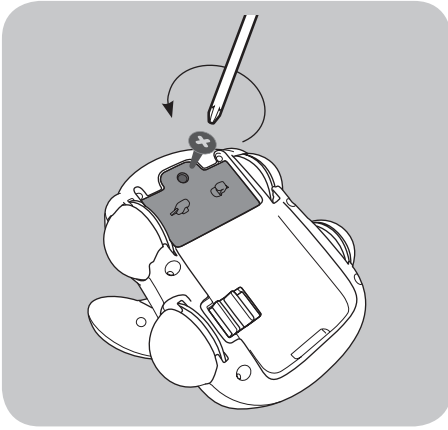


14. Press the buttons (A) at each end of the walker base and at the same time turn the base upward 90 degrees until it clicks into place. Repeat the process on the opposite side.

To convert the rocker back to a walker, simply reverse the steps 12 to 14. Press in buttons (A), turn base back down, close the end blocks together and reconnect.

WARNING! DO NOT convert from rocker to walker or vice-versa whilst your child is seated in the walker.

Electronic toy car

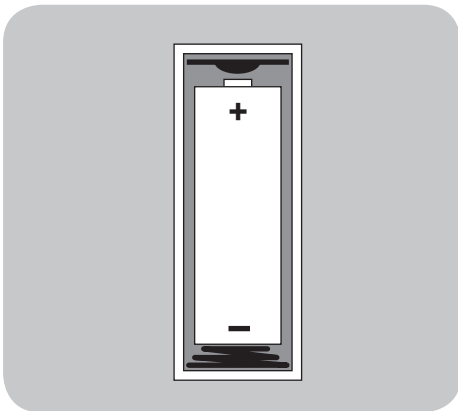


15. Using a Phillips screwdriver, unscrew the battery cover on the underside of the electronic toy car.

Insert 2 x 1.5V AA batteries (not supplied) ensuring the correct battery orientation is observed and then reattach the cover, replacing the screw, being careful to avoid overtightening.

Top Tip:

16. Some brands of batteries will have slightly different lengths than others. If you find the electric toy car is not working with fresh batteries then this may be because the positive terminal is not making proper contact. To rectify this, first re-insert the batteries. If this does not work, try a different brand. Finally if the toy car still fails to work, please contact MyChild customer service.

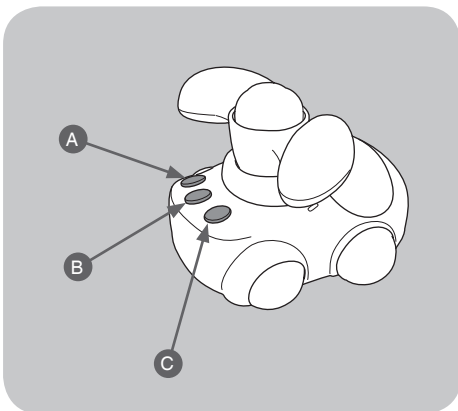


17. The electronic toy car has three buttons:

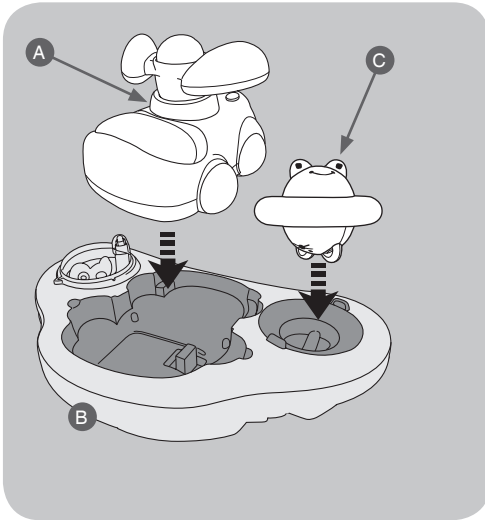
(A) Cycles through the stored musical sounds.

(B) Cycles through the different light settings.

(C) Adjust the volume to one of three settings.



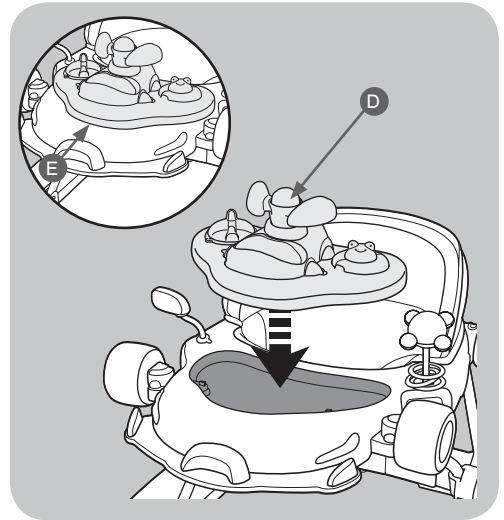
Play tray



18. **IMPORTANT:** Ensure the steering wheel on the toy car is not turned to the left or right before placing in the play tray.

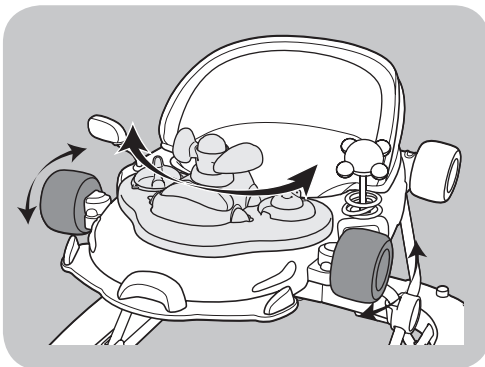
Push the electronic toy car (A) firmly into the large recess in the centre of the play tray (B).

Click the reversible frog/mouse toy (C) into the smaller recess.

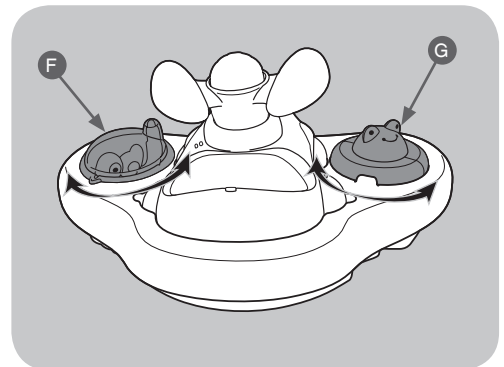


19. Place the assembled play tray (D) into the recess on top of the car body.

To remove: Whilst standing behind the walker, slide your fingers between the toy tray and the top of the car body (E) and pull the toy tray away from the rocker.



20. Turn the steering wheel to turn the front wheels of the car.



21. The bird toy (F) and the reversible frog/mouse toy (G) can both be rotated causing them to click as they turn, helping stimulate the child.



Customerservice@kooltrade.co.uk
Imported by MyChild. M34 3QA
www.mychildonline.co.uk
Tel: 0161 335 2508