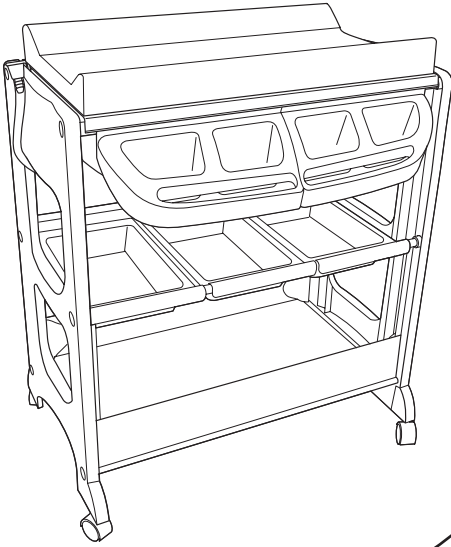


## Peachy Changing Unit



This product has been tested to BS EN 12221-1:2008.

Suitable for children from birth and up to 15kg/33lbs.

**IMPORTANT:** Retain for future reference. Read carefully.

## Safety instructions

**WARNING:** Do not leave the child unattended.

**WARNING:** The drainage hose should be either attached to the bath's drainage outlet or stored out of reach of children.

- Be aware of the risk of open fire and other sources of strong heat, such as electric bar fires, gas fires, etc. in the near vicinity of the changing unit.
- Regularly check that all screws and assembly fittings are tight and secure before use.
- Do not use the changing unit if any parts are damaged, missing or loose.
- Screws shall not be loose because a child can squeeze parts of the body, or clothing (e.g. strings, necklaces, ribbons for babies dummies, etc.) could get caught. There would be danger of strangulation.
- When lockable castors/wheels are fitted, they shall be locked when changing unit is in use.
- Do not move the changing unit whilst changing baby.
- Only use spares approved by the manufacturer.
- The weight of the child should not exceed 15kg/33lbs.
- Do not use the changing unit for purposes other than what it was designed for.
- Do not use the shelf or trays to store heavy items.
- Only use changing pads supplied with this product.
- This changing unit is not height adjustable and is not designed to be wall mounted.
- Only use on flat, level ground with sufficient clearance to safely place and remove the child from the unit.



WARNING: DROWNING HAZARD!  
NEVER LEAVE YOUR BABY  
UNATTENDED IN THE BABY BATH



- Water temperature should not exceed 37°C (98.6°F).
- Minimum water temperature should not be less than 34°C (93.2°F).
- If the doorbell or phone rings, or if you need to leave the baby's sight for any reason - then take the baby with you. Babies can drown in seconds in shallow water.
- Infants have drowned in baby baths.
- ALWAYS keep infant within an adult's reach.
- NEVER lift the baby bath with a child in it.
- Do not use the bath without the changing unit frame.
- The bath fits only one child at a time.

This product complies with BS EN 12221-1:2008

## Welcome

Thank you for purchasing the MyChild Peachy Changing Unit.  
Please read the instructions and warnings carefully before use to ensure safe and satisfactory operation of this product.

Your child's safety is your responsibility. If you have a query with this product or require replacement parts, please contact the MyChild Helpline on 0161 335 2508.

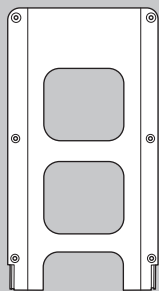
Lay out the parts on a soft level surface and compare to the part/fixings checklist below. Do not discard any packaging until you are sure that you have all the parts.

**WARNING!** Assembly by an adult. Keep away from children until fully assembled. Keep children clear during assembly as pack contains small parts which may present a choking hazard.

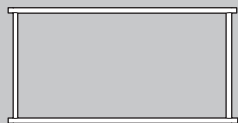
# Parts checklist

## Contained in your carton are:

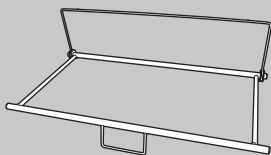
Nº	Part	Qty
1	End panels	2
2	Side frames	2
3	Top frame	1
4	Padded top	1
5	Lower tray	1
6	Middle trays	3
7	Bath tub	1
8	Side trays	2
9	Bolts	12
10	Wheels	4
11	Bath plug	1
12	Drainage hose	1
13	Bolt tightening tool	1



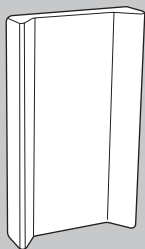
1



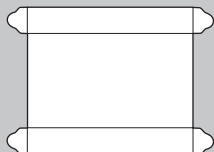
2



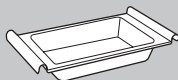
3



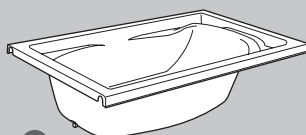
4



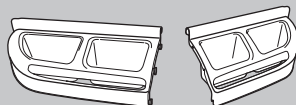
5



6



7



8



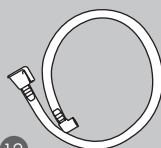
9



10



11

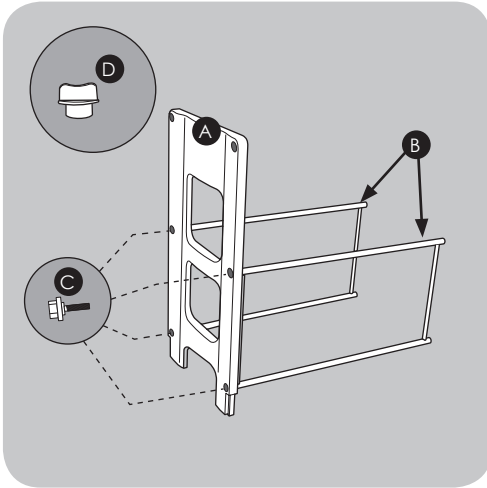


12

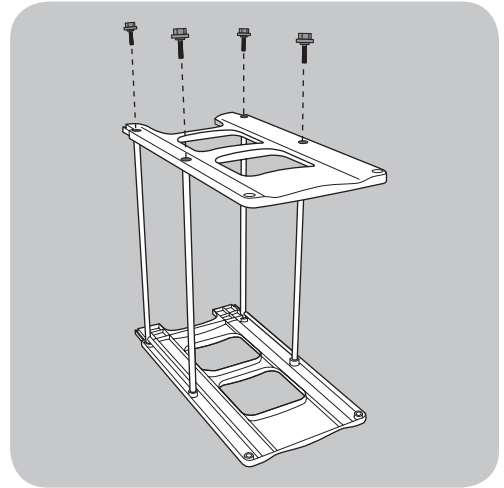


13

## Assembling the changing unit

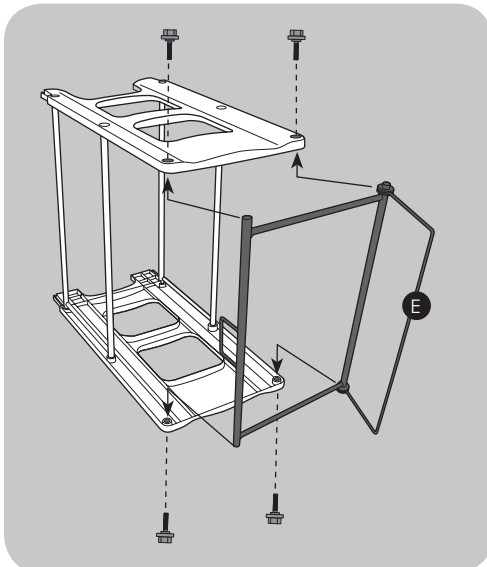


1. Attach an end panel (A) to the two side frames (B) using bolts (C) and then tighten using tool (D).



2. Place the changing unit on its end and loosely attach the other end panel using four bolts.

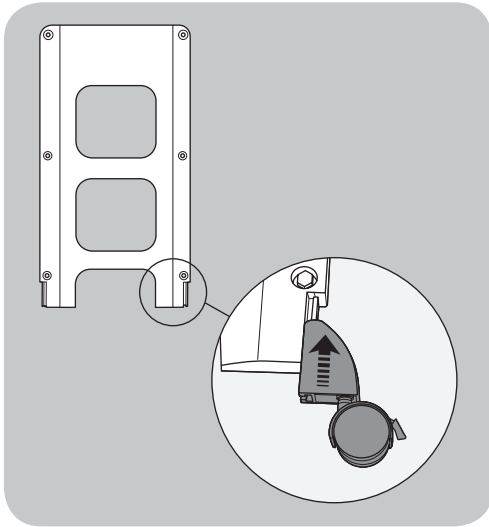
Do not tighten the bolts on this side yet as you will need to fit another bar between the end panels.



3. With the changing unit on its end, place the ends of the top frame (E) into the sockets on the inside of each end panel. Secure with two bolts, then carefully turn the changing unit over and secure with two more bolts.

Now ensure that ALL the bolts are securely tightened.

## Assembling the changing unit (continued)

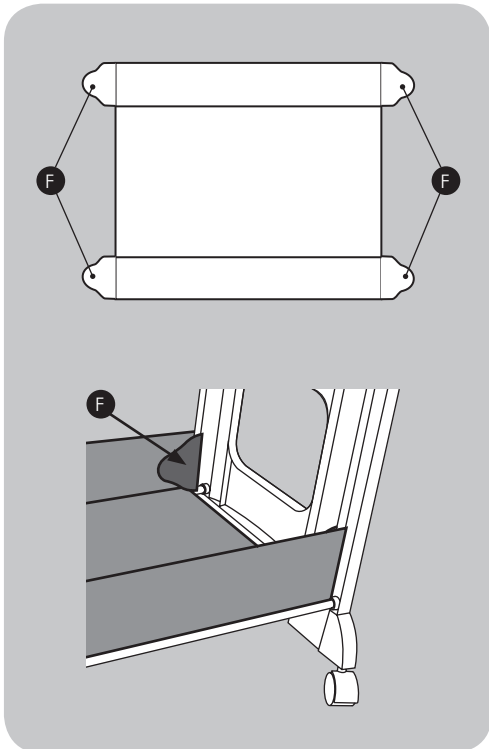


4. Push the four wheels firmly on to each corner of the changing unit.

**TIP:** If having difficulty attaching the wheels, try using a little liquid soap where the two parts connect, to ease the wheels on.

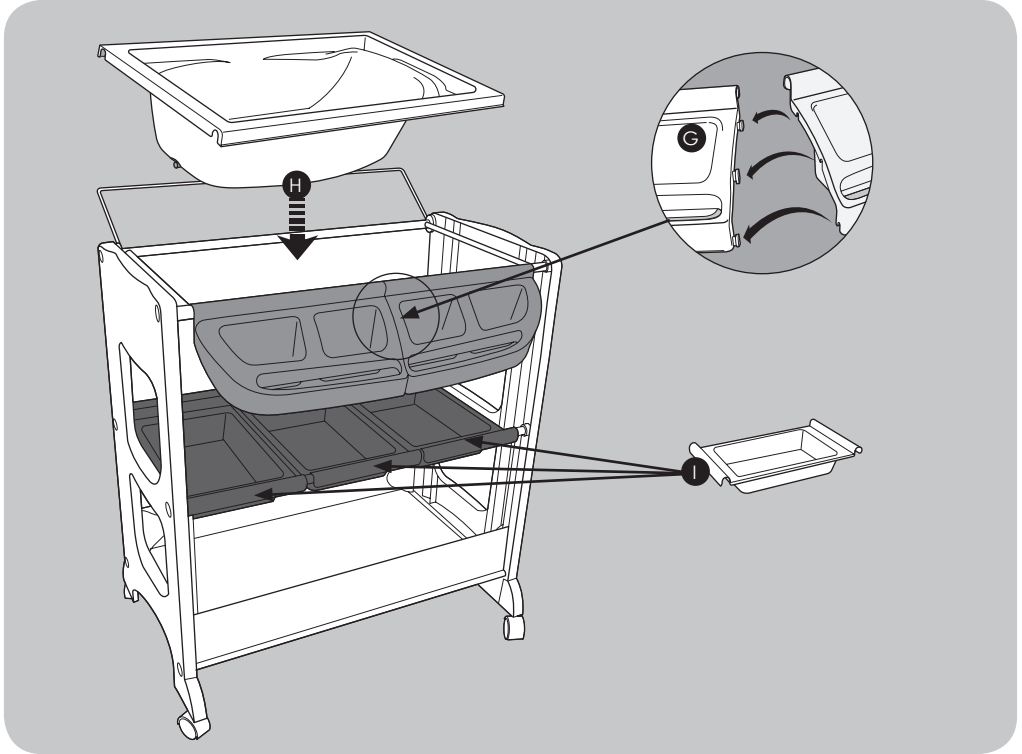
If this does not help, then carefully tap the wheels on with a rubber mallet.

**NOTE:** Ensure all four wheels are locked when using the changing unit.



5. Place the base shelf across the side frame's lowermost tubing. Wrap flaps (F) around the upright tubing of the two side frames and secure using press studs.

## Assembling the changing unit (continued)

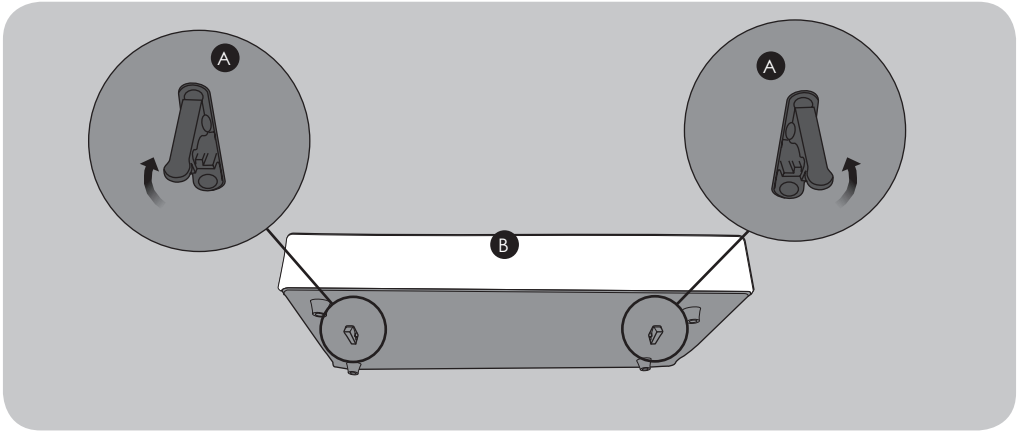


6. Clip the two side trays (G) together and then hook over the front of the top frame. Place bath tub (H) into the top frame, hooking it over the top frame and the side trays(G).

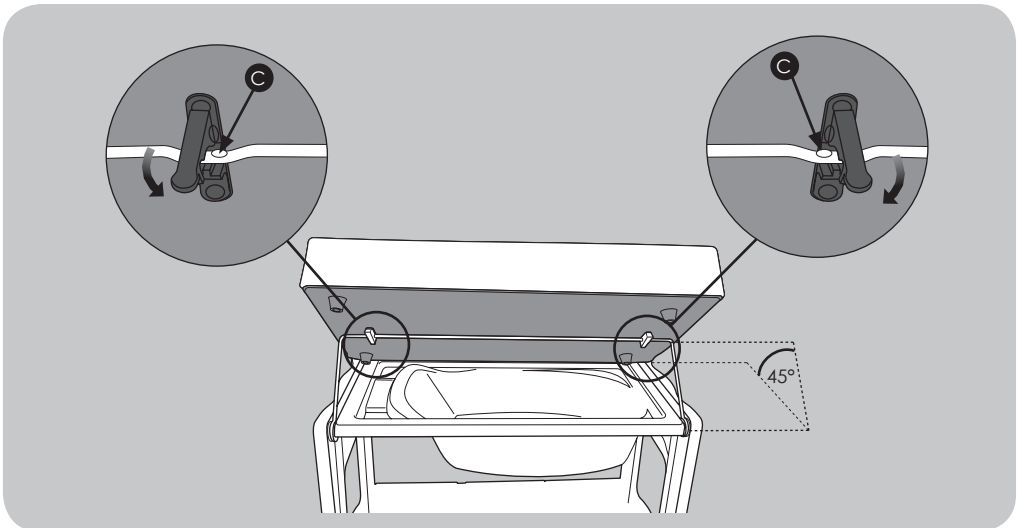
Attach the three middle trays (I) by hooking them over the uppermost tubing of the two side frames.

## Attaching the changing unit top

The changing unit comes supplied with a removable padded top which can be used on its own or attached to the changing unit.



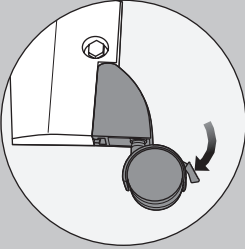
7. To attach the padded top: Open the clips (A) on the underside of the padded top (B).



8. Standing at the back of the changing unit, angle the hinged wire frame up to 45° and clip the padded top on ensuring the two metal pips (C) are positioned on the inside of the clips. Fasten the clips and lower the padded top.

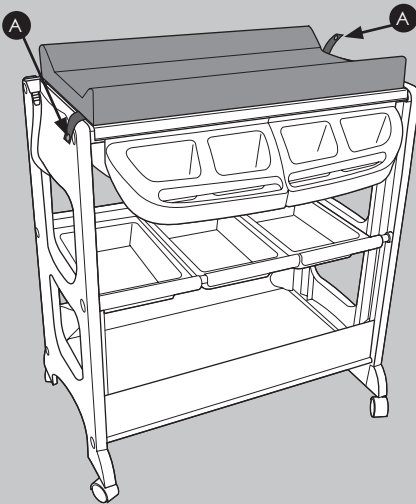
To remove the padded top: Reverse the above steps.

## Using the changing unit



9. Lock all the wheels by pressing down the brake lever on each wheel.

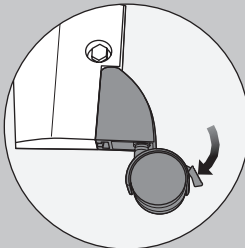
(To unlock the wheels, simply lift up the brake lever on all wheels.)



10. Fasten the changing top using press stud tabs (A) ensuring it is securely attached and lies flat.

**WARNING: Do not leave your child unattended whilst on the changing unit.**

## Using the bath



11. Lock all the wheels by pressing down the brake lever on each wheel.

(To unlock the wheels, simply lift up the brake lever on all wheels.)

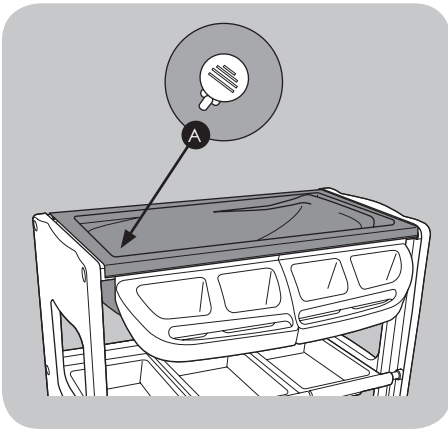


## Using the bath (continued)

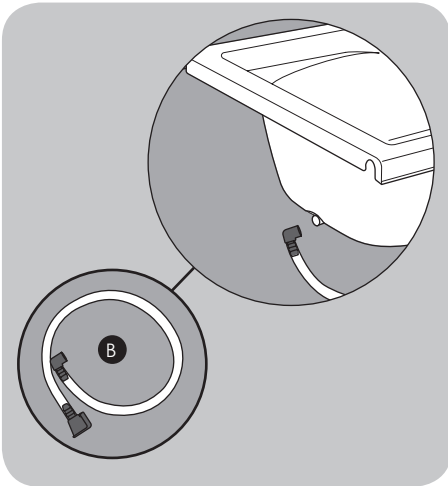
12. Before placing water in the bath, ensure the plug (A) is firmly located in the plug-hole on the inside of the bath tub.

**WARNING: Ensure the water is a safe temperature BEFORE placing your child in the bath. 37°C (98°F) is the recommended temperature. Check with a thermometer.**

**WARNING: Do not use the bath without the changing unit frame.**

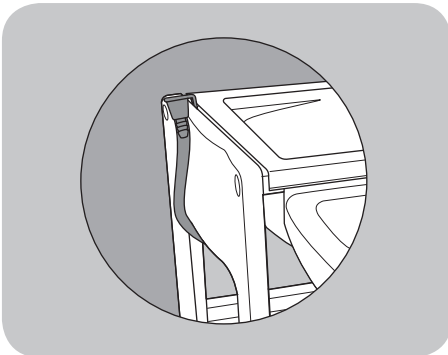


13. To empty the bath, connect the drainage hose (B) to the outlet on the underside of the bath tub and drain the water into a bucket.



14. The drainage hose can be left attached to the outlet on the underside of the bath tub. The free end of the hose can be hooked onto the side panel.

**WARNING: Never leave your child unattended as baths can be extremely dangerous to small children.**



## Care and maintenance

### Plastic/Metal Parts:

Wipe clean using a mild soap and warm water. Dry thoroughly.

Never use ammonia based, bleach or spirit cleaners.

Do not use abrasive cleaners or abrasive pads.

Store away from direct sunlight to avoid fabrics and plastics discolouring. Ensure product is dry before storing.

## Your 3 year warranty

Whilst we make and test our products to the highest standards of durability there's always a small chance of a hiccup! Our promise is to repair, replace or refund a MyChild product that has an identified manufacturing defect from the date of purchase for a full 3 years thereafter at no extra cost.

However, you must register within 28 days of the date of purchase to receive the full 3 years guarantee!

To receive your full guarantee you can register your product by:  
visiting [www.mychild.co.uk/warranty.html](http://www.mychild.co.uk/warranty.html) and complete the warranty form,  
or by telephone on 0161 335 2508.





Customerservice@kooltrade.co.uk  
Imported by MyChild. M34 3QA  
[www.mychild.co.uk](http://www.mychild.co.uk)  
Tel: 0161 335 2508