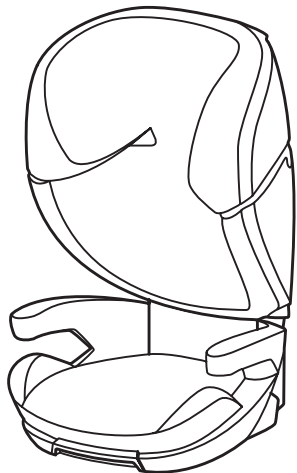


**MY CHILD<sup>®</sup>**

## **Rapido Fix Car Seat**

Groups 2+3 child car seat



This product conforms to ECE R44.04

Group 2+3 child car seat.

Suitable for children from 15kg to 36kg (approx 4 to 12 years old)

**Instructions:** Please read carefully and keep for future reference. Your child's safety may be affected if you do not follow these instructions.

## Notices

1. The child car seat must only be used in vehicles which are fitted with a three point seat belt system that has been approved by regulation ECE-16 or similar.
2. A correct fit is likely if the vehicle manufacturer has declared in the vehicle hand book that the vehicle is capable of accepting a 'Universal' child restraint for this group.
3. The child car seat is a 'Universal' child restraint; it conforms to regulation ECE-R44/04 for general use in vehicles. It will fit most, but not all vehicle seats.
4. This child car seat has been declared 'Universal' under more stringent conditions than those applied to earlier designs, which do not carry the 'Universal' mark.
5. Child car seats can mark vehicle seat upholstery. The manufacturer cannot be held responsible for damage or marking to vehicle seats.
6. The following situations could be illegal and will void the warranty: 1) Any modifications or change of use of the child car seat that have not been authorised or advised by the manufacturer. 2) Any failure to fit the child car seat in strict accordance with the instructions.  
The manufacturer accepts no liability for issues arising from unauthorised modifications, uses or fitting.
7. Please keep this manual safe for any possible queries you may have in the future.
8. You will need to keep your proof of purchase. We recommend you keep them together.

## GETTING STARTED

### Read Carefully Before Attempting to Fit the Child Car Seat

**Warning:** NEVER leave your child unattended – your child's safety is your responsibility.

**Warning:** The child car seat must be fitted in accordance with the manufacturer's instructions. Incorrect installation could be dangerous.

**Warning:** This installation must only be performed by a competent adult. Don't try to install the seat when intoxicated or very tired.

**Warning:** Always ensure that new or occasional users [e.g. grandparents] have read the instructions or been taught the correct installation by someone who has read and understood the instructions.

**Warning:** Always keep this instruction manual with the child car seat, or in the vehicle in which you are carrying the child car seat. Some models of child car seat have a pocket to store the instructions.

### Before Starting

**Warning:** Do not fit the child car seat on a side or rear facing vehicle seat.

**Warning:** Before installing the child car seat ensure that the passenger seat you are using is locked in the upright position.

**Warning:** Do not use the child car seat in the home - it has only been designed to be used in the car.

**Warning:** Do not leave loose/unsecured objects on the back seat of your car or the parcel shelf. They may be dangerous to your child if you are forced to brake suddenly.

### Which is the safest passenger seat to fit your child car seat to?

#### THE CENTRE REAR PASSENGER SEAT

If your centre rear passenger seat is fitted with a three point seat belt system then you should use it.

If your centre rear passenger seat does not have a three point seatbelt system (i.e. no seatbelt at all, or only a lap belt)

- then you should use the rear left passenger seat or the rear right passenger seat.

The front passenger seat can only be used if it **DOES NOT** have an airbag and **IS** fitted with a three point seat belt system.

## EXTREME HAZARD

**NEVER USE IN FRONT PASSENGER SEATS EQUIPPED WITH AIRBAGS (SRS)  
THIS CAN INCLUDE REAR PASSENGER SEATS THAT ARE EQUIPPED WITH AIRBAGS\***

**\*Consult car manufacturer for suitability. Children's bodies are not able to withstand the forces exerted on them by a deploying air-bag**

### When Using the Child Car Seat

**Warning:** Make sure that the child car seat is placed somewhere so that rigid items and plastic parts do not become trapped in doors or movable seat units when the seat is in everyday use.

**Warning:** Always use the vehicle's door child safety lock system, if one is available, to make it impossible for the child to open the car doors from inside.

**Warning:** Allow the child a break during long car journeys and make sure they don't get out of the car unaided and without supervision.

**Warning:** The child car seat must be fitted securely to the passenger seat. Ensure that it is not loose or wobbly after you have fitted it. If it is loose, re-fit it.

**Warning:** Ensure that the child car seat is secured to the car seat at all times - even when not in use.

**Warning:** The child car seat must not be used without its original cover. The original cover is essential for the safe operation of the child car seat.

**Warning:** Stop the car at regular intervals to check that the child car seat is in the correct position and that the car seatbelt is still taut and latched.

**Warning:** If you travel with passengers using both the front and the rear passenger seats, the lighter occupants should be in the rear and the heavier occupants in the front.

**Warning:** If you have no option other than to put your child car seat on a rear passenger seat next to side airbags:

- Consult with your vehicle manufacturer for side airbag details. It may not be safe.  
- Make sure your child does not lean into the area immediately around the airbag.

**Warning:** Do not place anything under the child car seat (e.g. a towel or cushion) as this could affect the performance of the seat in an accident.

**Warning:** Avoid winter clothing bundling - Bulky clothing can lead to incorrect harness tightening. In an accident, the child can slip right out of the extra padding - and thus out of the seat. Let the car warm up or cool down prior to placing your child in there if possible. If your child is cold, place a blanket over the top of the harness.

**Warning:** In the event of an emergency it is important to be able to release the child quickly (as defined by British Standards). This means that the seat buckle cannot be fully tamper proof and you should actively discourage your child from playing with or using the buckle.

**Important:** Ensure your child knows the harness is there to keep them safe.

**Important:** Do not start the engine until you are sure that your child is securely harnessed in their seat AND that you have also correctly fastened your seatbelt. Ask your child if everyone is safely belted up and whether it is okay to drive off.

**For tips and advice on preventing your child from tampering with the harness buckle visit one of the following sites:**

- [http://www.theaa.com/motoring\\_advice/child\\_safety/belts\\_buckles.html](http://www.theaa.com/motoring_advice/child_safety/belts_buckles.html)
- <http://www.childcarseats.org.uk/choosing-using/children-undoing-their-harness/>

## Seatbelt

**Warning: NEVER** use any load bearing contact points other than those described in these instructions or marked on the child car seat.

**Warning:** Ensure that the lap section of the seatbelt or harness is worn low down, so that the pelvis is firmly engaged.

**Warning:** Make sure that **ALL** the passengers in your vehicle have their seat belts fastened, as unrestrained people can be very dangerous to the child in an accident.

**Warning: NEVER** use a seatbelt routing scheme that differs from these instructions.

**Warning:** The lap and diagonal seat belt (and harness if fitted) must be used at all times when your child is in the child car seat.

**Warning:** Make sure that there are no twists in the seatbelt.

## Sunlight/Hot days

**Warning:** Don't leave your child in the child car seat while parked in direct sunlight or on a hot day.

**Warning:** Do not subject the child car seat to prolonged direct sunlight as this may be dangerous for your child (the metal and plastic fittings could become hot) and may cause the fabric to fade. You can reduce this problem by covering the child car seat with a sheet when not in use.

## Back of the Seat/Headrest

**Warning:** Ensure that the child car seat is as close as possible to the backrest of the car seat.

**Warning: REMOVE** the headrest of the passenger seat being used if it obstructs the proper installation of the child car seat. **REMEMBER** to refit the headrest when the child car seat has been removed.

## Second Hand or Damaged Child Car Seats and Seat belts

**Warning:** Never buy a second hand child car seat. It may have unseen damage.

**Warning:** The manufacturer only guarantees this product when the original owner uses it.

**Warning:** You **MUST** replace the child car seat and your vehicles seat belts if they becomes badly worn or damaged.

**Warning:** You **MUST** replace the child car seat if it is involved in an accident – it may have unseen damage and may not protect your child as well as it should. At the very least send the child car seat to the manufacturers for inspection, together with the incident report.

## Your 3 year warranty

Whilst we make and test our products to the highest standards of durability there's always a small chance of a hiccup! Our promise is to repair, replace or refund a MyChild product that has an identified manufacturing defect from the date of purchase for a full 3 years thereafter at no extra cost.

However, you must register within 28 days of the date of purchase to receive the full 3 years guarantee!

To receive your full guarantee you can register your product by:

visiting [www.mychildonline.co.uk/warranty.html](http://www.mychildonline.co.uk/warranty.html) and complete the warranty form, or by telephone on 0161 335 2508.

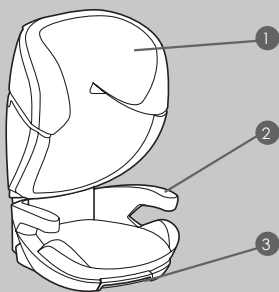
## Contents

Welcome	5
Parts checklist	5
Positioning the seat	6
Preparing the ISOFIX stability connectors	6
Installing the child seat - using ISOFIX system	7-9
Installing the child seat - using seat belt	10-12
Reclining position	12-13
Removing the car seat	13
Removing and replacing the cover	14
Maintenance and cleaning	15

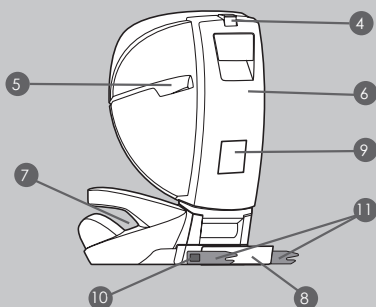
## Welcome

Thank you for purchasing the Rapido Fix child car seat. Please read these instructions carefully before use to ensure safe and satisfactory operation of this product. Your child's safety is your responsibility. If you have a query with this product or require replacement parts, please contact your nearest MyChild retailer.

## Parts checklist

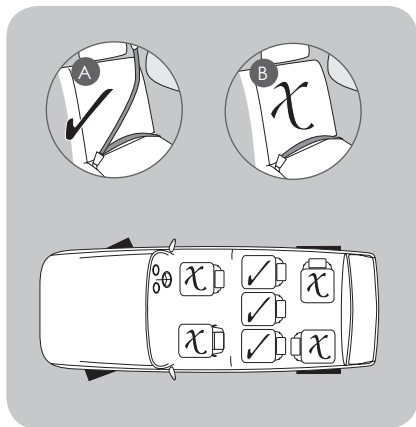


- 1 Backrest
- 2 Armrest
- 3 Unlock stability fix/ sleeping position
- 4 Backrest adjust button
- 5 Shoulder belt guide
- 6 Seat shell



- 7 Lap belt guide
- 8 Recline block
- 9 Instructions storage compartment
- 10 ISOFIX release button
- 11 ISOFIX connectors

## Positioning the seat



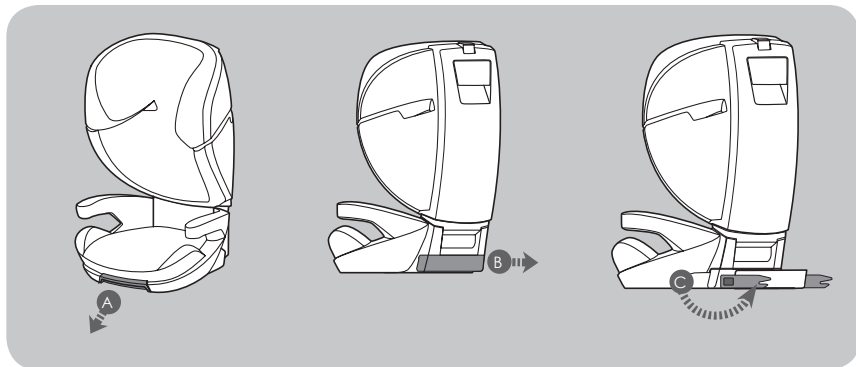
The child car seat can only be used with an automatic 3-point safety belt (A) and **NOT** with a 2-point lap belt (B).

The child car seat can be secured in a forward-facing position in the rear seats of the vehicle by using the existing seat belts. However, on some seats, if the installation is not properly secured, we suggest you try another seat in your vehicle.

Although not recommended, the child car seat can be used on a passenger side front seat, so long as there is no active airbag.

**WARNING: Never use in a seat with an active airbag.**

## Preparing the ISOFIX stability connectors

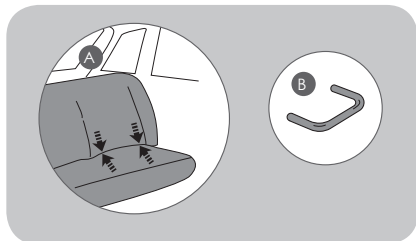


Place the seat face down so you can see the base.

Pull the release handle (A) and at the same time pull out the recline block (B).

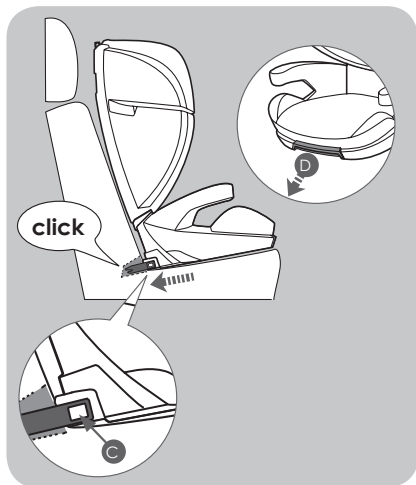
Rotate the connectors (C) into position, then pull handle (A) and push the recline block (B) back in.

## Installing the child seat - using ISOFIX system



For vehicles equipped with ISOFIX points, then we advise they are used.

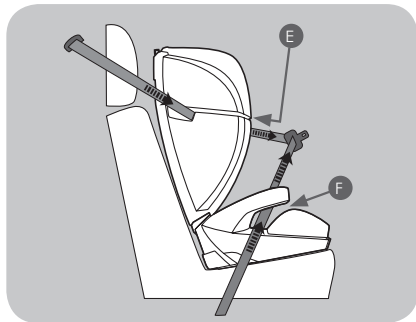
If you are not sure if you have ISOFIX points, feel between the joint of the passenger seat back and passenger seat base (A) and feel for 2 metal brackets similar to (B). If unsure or in any doubt then consult your vehicle manufacturer.



Position the child car seat on the selected passenger seat and slide the child car seat back till the connectors lock onto the ISOFIX points in your vehicle.

**IMPORTANT: Ensure both ISOFIX connectors 'CLICK' audibly into place and the lock indicator (C) has turned GREEN. Pull the child car seat forward to check the ISOFIX system is locked in place.**

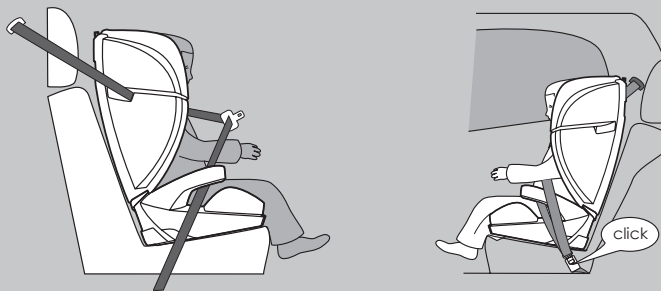
Pull the release handle (D) and push the child car seat tight into the passenger seat so that it makes contact with the passenger seatback.



Slot the vehicle seat belt's shoulder strap through the shoulder guide (E) and the waist strap under the armrest (F).

If your vehicle does not have ISOFIX points then do not worry, you can use the vehicle seat belt to secure the child car seat.

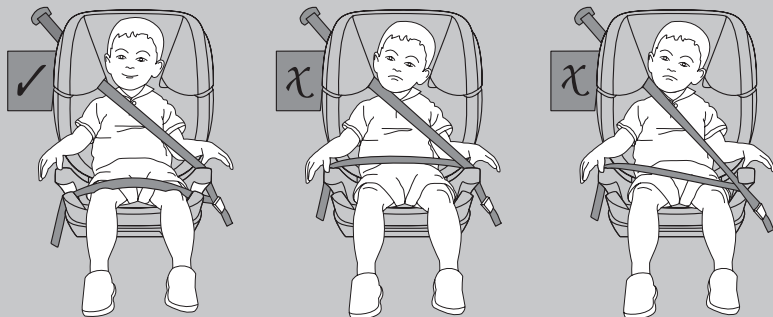
## Installing the child seat - using ISOFIX system (continued)



Place the child in the child car seat. Lock the vehicle seat belt into the buckle ensuring it clicks into place.

**Note:** Make sure the seat belt is not twisted.

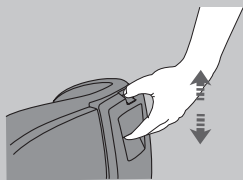
**Note:** The lap belt should be worn low over the hips.



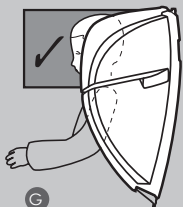
Make sure the lap belt passes under the armrests through the lap belt guides and that the shoulder belt passes diagonally through the shoulder belt guide and over the armrest nearest to the seat belt buckle.



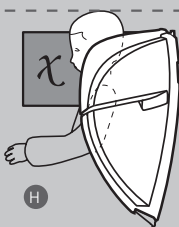
## Installing the child seat - using ISOFIX system (continued)



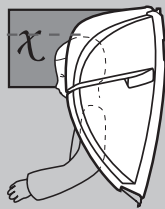
Adjust the child car seat to the correct height by pushing the backrest adjusting button and moving the backrest up or down to the desired height.



(G)



(H)



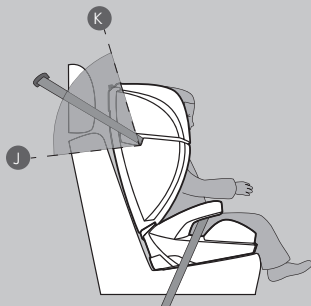
(I)

When adjusting the backrest, ensure the correct height is found.

(G) The backrest is the correct height.

(H) The backrest is too low.

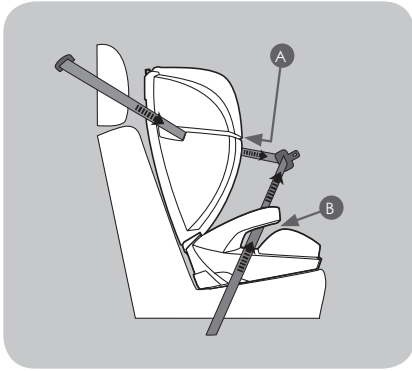
(I) The backrest is too high.



Ensure the vehicle seat belt is positioned in the arc between (J) and (K), failure to do so may result in the seat belt laying incorrectly across your child and reducing the safety of the seat.

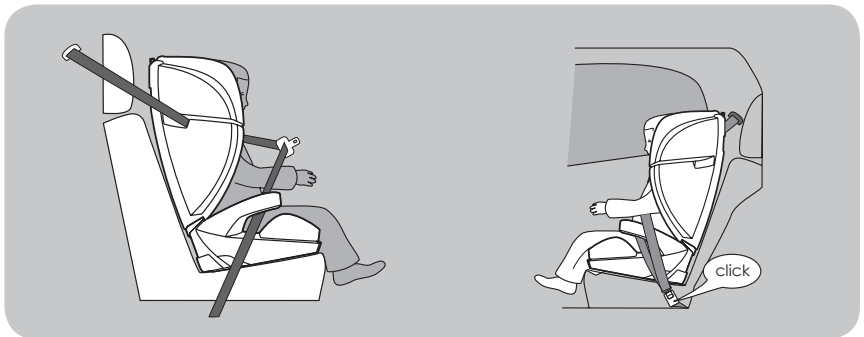
**ATTENTION:** The child car seat should always be either strapped in using the vehicle's seat belt or locked in place using the ISOFIX system, whether a child is seated in the child seat or not.

## Installing the child seat - using seat belt



Ensure the ISOFIX connectors are folded away (if they are not then reverse the steps under "Preparing the ISOFIX stability connectors")

Place the child car seat on a suitable passenger seat. Push the child car seat firmly back into the passenger seat. Slot the vehicle seat belt's shoulder strap through the shoulder guide (A) and the waist strap under the armrest (B).

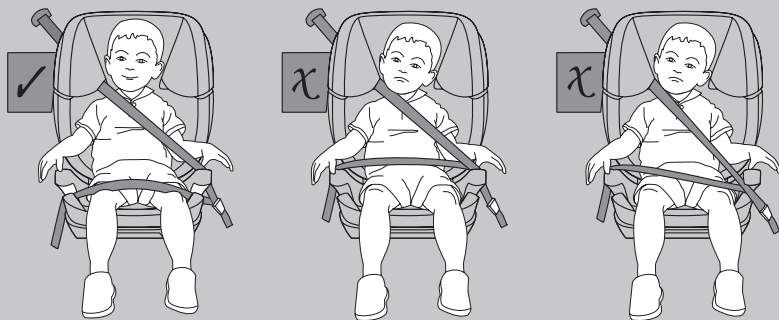


Place the child in the child car seat. Lock the vehicle seat belt into the buckle ensuring it clicks into place.

**Note:** Make sure the seat belt is not twisted.

**Note:** The lap belt should be worn low over the hips.

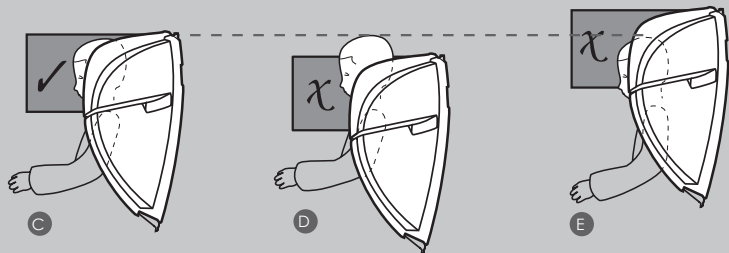
## Installing the child seat - using seat belt (continued)



Make sure the lap belt passes under the armrests through the lap belt guides and that the shoulder belt passes diagonally through the shoulder belt guide and over the armrest nearest to the seat belt buckle.



Adjust the child car seat to the correct height by pushing the backrest adjusting button and moving the backrest up or down to the desired height.



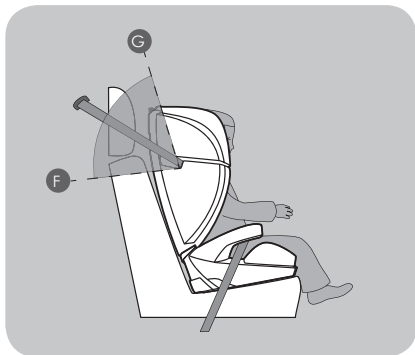
When adjusting the backrest, ensure the correct height is found.

(C) The backrest is the correct height.

(D) The backrest is too low.

(E) The backrest is too high.

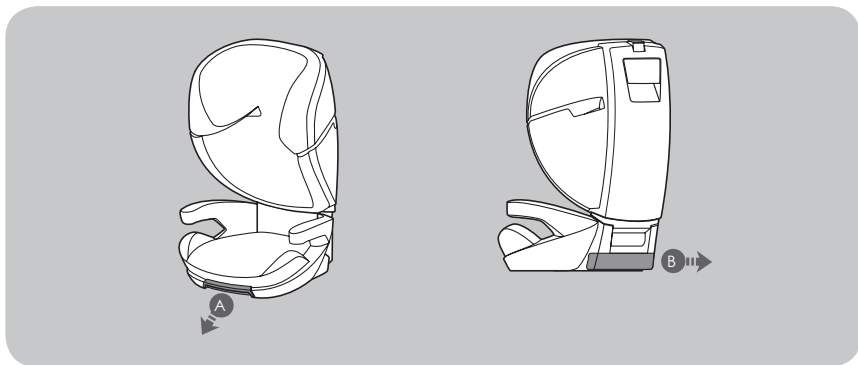
## Installing the child seat - using seat belt (continued)



Ensure the vehicle seat belt is positioned in the arc between (F) and (G), failure to do so may result in the seat belt laying incorrectly across your child and reducing the safety of the seat.

**ATTENTION:** The child car seat should always be either strapped in using the vehicle's seat belt or locked in place using the ISOFIX system, whether a child is seated in the child seat or not.

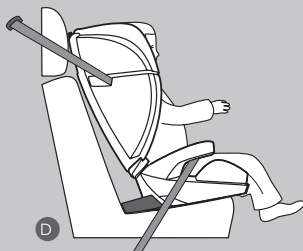
## Reclining position



Pull the release handle (A) and at the same time pull out the recline block (B).

**NOTE: DO NOT** adjust the child car seat whilst a child is seated in it.

## Reclining position (continued)



(C) Normal, seated position.

(D) Reclined, reclining position.

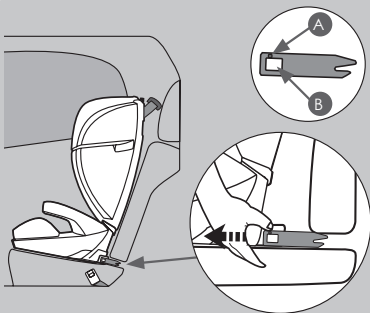
## Removing the child car seat



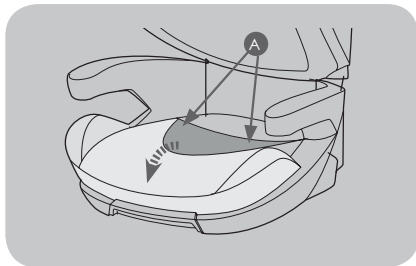
Remove the vehicle seat belt from the belt guides.

If your vehicle does not have an ISOFIX system then you can now remove the child car seat, otherwise follow the step below.

To remove the ISOFIX connectors, push the small red buttons (A) on the connectors and whilst keeping both buttons pressed in, pull back the release buttons (B) and pull the child car seat out.

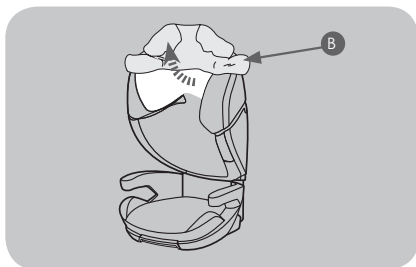


## Removing and replacing the cover

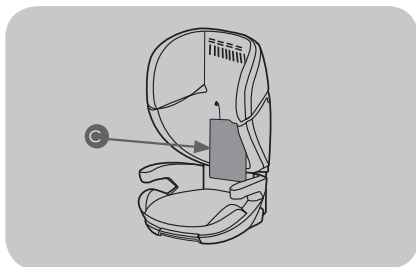


**WARNING: The cover is a safety feature. Never use the child car seat without it.**

Remove the seat base cover by unfastening the two press studs (A) along the back edge of the base and cover pulling the cover forward and off.



Remove the seat backrest cover by holding the bottom edge of the cover, pulling up and off (B).



Remove the small seat back cover by unhooking the elastic loops, starting at the top.

To refit the cover, follow the steps above in reverse (C, B, A). Starting with the small back cover attach it to the shell using the elastic (C). Slide the backrest cover over the backrest attach the Velcro® tabs and feed the plastic edging on the cover into the grooves around the edge of the shell (B). Finally slide the seat base cover (A) on, attach the two press studs tabs and feed the plastic edging on the cover into the grooves along the front edge of the shell.

## Maintenance and cleaning

### Storage

- 1) Store this child car seat in a safe place when not in use.
- 2) **DO NOT** place heavy objects on top of it.
- 3) Always store the child car seat in a dry environment.
- 4) **DO NOT** store the child car seat near a direct heat source such as a radiator.

### Covers

- 1) The seat cover is easily removable and should be handwashed with a pH neutral soap and cold water.
- 2) Do not press, iron, dry clean, tumble dry or wring the covers.
- 3) Do not use solvents, caustic or abrasive cleaning materials.
- 4) Dry flat, away from direct heat and sunlight.
- 5) If the seat covers need to be replaced only use MyChild certified parts. They are the only ones that are guaranteed to have been safety tested and designed to fit this seat.

### Plastic/Metal Parts

- 1) Wipe clean using a mild soap and warm water.
- 2) You must not remove, dismantle or alter any part of the seat shell.
- 3) You must not oil or lubricate any part of the seat shell.

### Inspection

- 1) Check your child car seat regularly for wear and tear.
- 2) The child car seat may have a slight rattle when not in use, this is normal. If in any doubt, contact MyChild immediately.
- 3) Check the adjustable parts of your child seat at intervals of about 6 months to ensure it is still fits correctly for your growing child.



Customerservice@kooltrade.co.uk  
Imported by MyChild. M34 3QA  
[www.mychildonline.co.uk](http://www.mychildonline.co.uk)  
Tel: 0161 335 2508