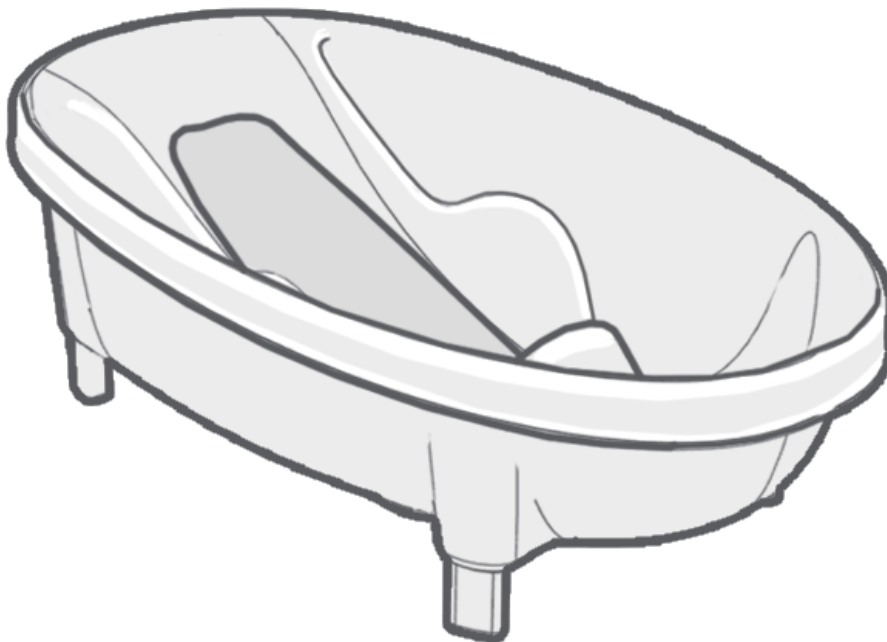


**forever
warm**

By babypatient



The Warming Baby Bather

INSTRUCTIONAL MANUAL

Complies with BS EN 17072:2018

Newborn to 6 months

**IMPORTANT: READ CAREFULLY BEFORE USE
AND KEEP FOR FUTURE REFERENCE**



WARNING

To prevent drowning

- **DROWNING HAZARD:** Babies and young children have **drowned** while bathing.
- **Stay** in arm's reach of your baby.
- Use in **empty** adult tub or sink.
- Keep drain **open** in adult tub or sink.
- **Never** rely on a toddler or preschooler to help your baby or alert you to trouble. Babies have drowned even with other children in or near bath tub. Always remain in contact with your child during bathing.
- Babies can drown in as little as 2cm of water in a very short time. Use as little water as possible to bathe your baby.
- Never leave your baby unattended in the bath, even for a few moments. If you need to leave the room, take the baby with you.

To prevent falls

- **Fall Hazard:** Babies have suffered head injuries falling from infant bath tubs.
- Place tub **only** in adult tub, sink, or on floor for safe use.
- **Never** lift or carry baby in tub.

- **DO NOT** use the product if it becomes damaged, broken, or disassembled.
- This tub is intended for babies from birth to the time just before they can sit up on their own (approximately 5-8 months old).
- Before storing, drain, clean, rinse and dry all items.
- The bath fits only one child at a time.
- If the doorbell or phone rings, or if you need to leave the bathing area for any reason, then take the baby with you. Babies can drown in seconds in shallow water.
- **Ideal bath temperature for babies is between 35 and 38°C (95 and 100°F).** Indication of the temperature not to be exceeded and the advised temperatures.
- **Always make sure the water is the appropriate temperature recommended for bathing a baby.**



NEVER USE HOT WATER INSIDE THE TUB!

PLACES TO FIT YOUR FOREVERWARM™

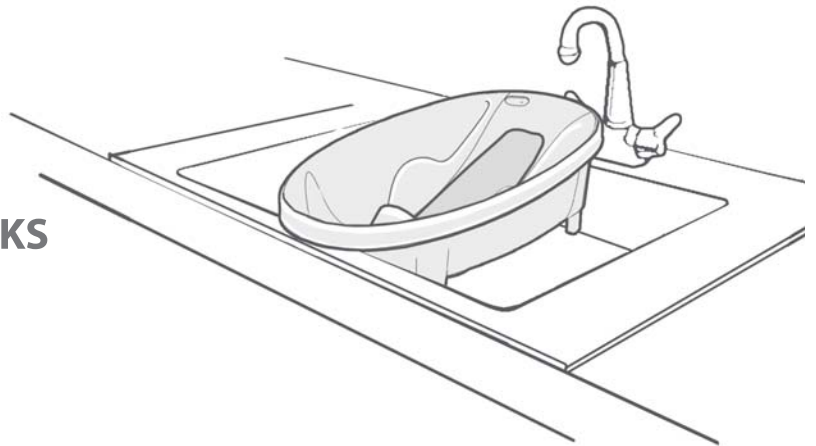
Make sure the ForeverWarm is on a level & stable surface.

Never use this product on an elevated surface not intended for this product.

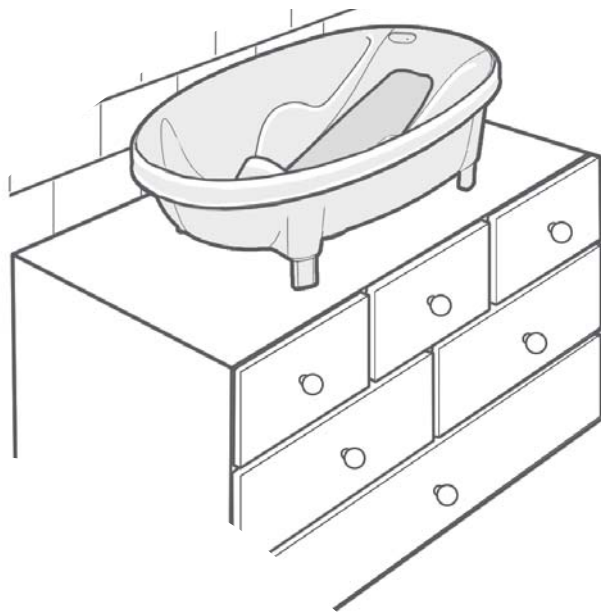
Always check the stability of the product before use.

To avoid scalding by hot water, position the product in such a way to prevent the child from reaching the source of water.

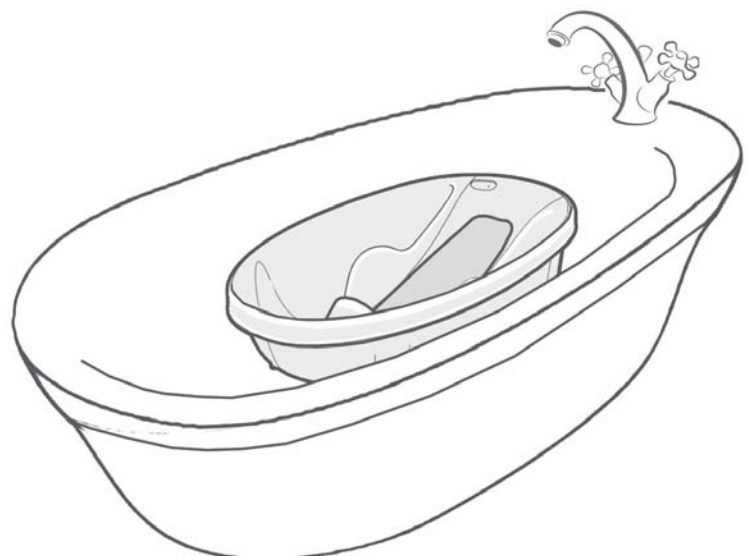
FITS MOST STANDARD SINKS



COUNTER TOPS

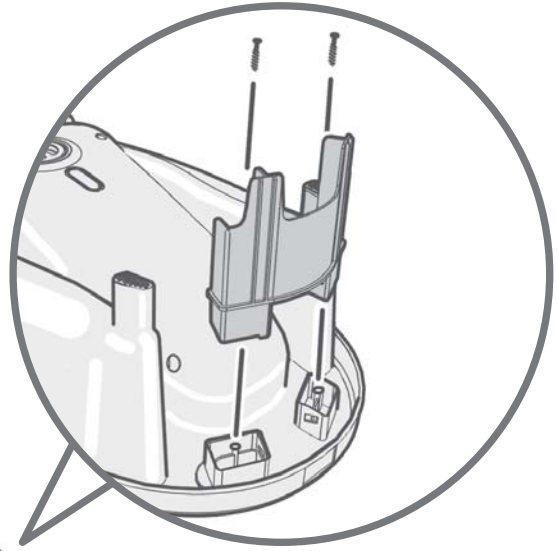
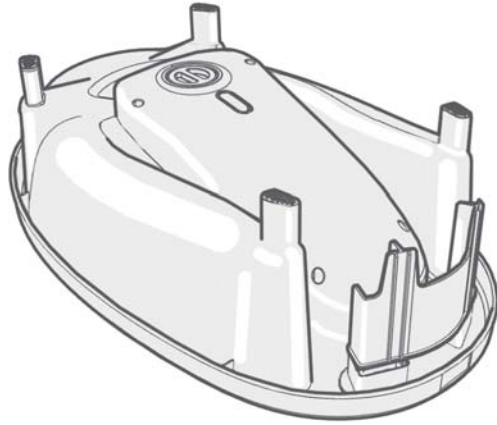
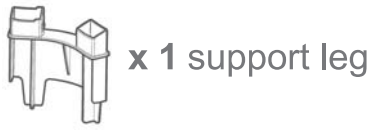


INSIDE THE BATH TUB



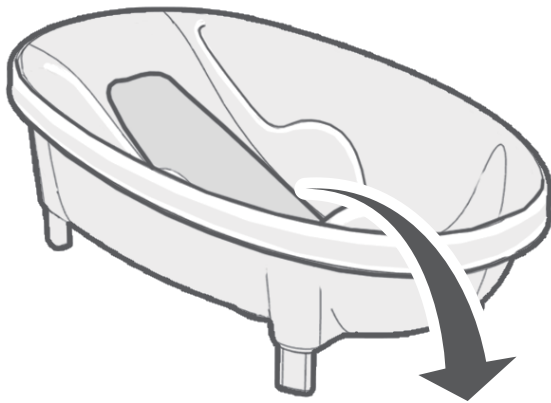
ONE TIME ASSEMBLY

Fast & easy to assemble the support leg.



BEFORE EVERY USE

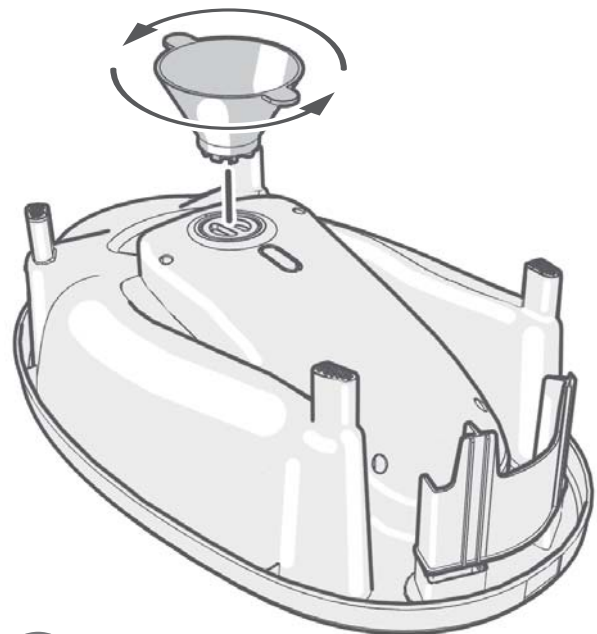
PREPARING YOUR FOREVERWARM BATHER



1

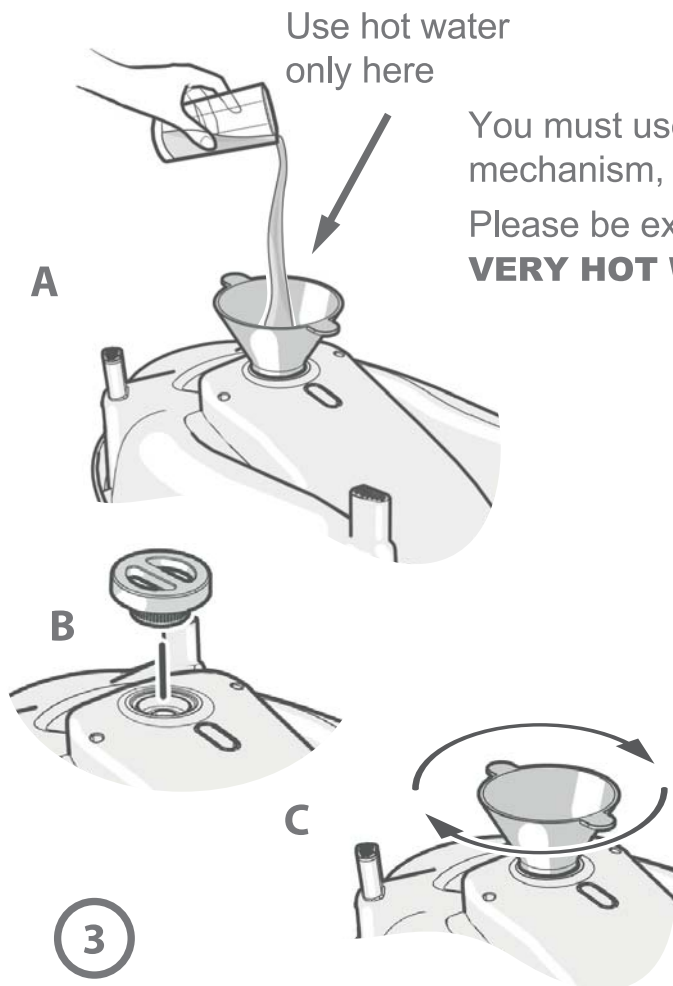
Simply turn the bather over

2 in 1 funnel and cap opener



2

Use the supplied funnel to easily open the outer cap and then place the funnel in the opening.

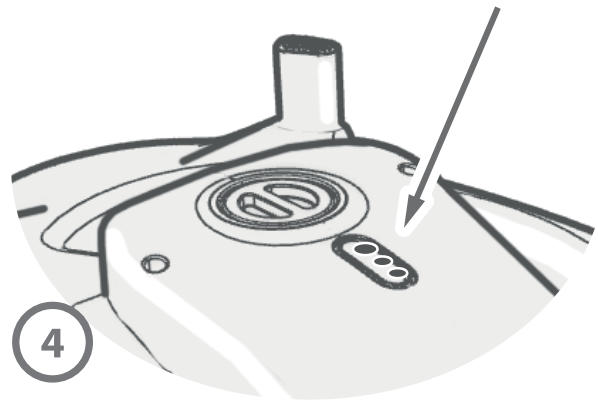


You must use very hot water to activate the heating mechanism, as close to boiling as possible.

Please be extra **CAUTIOUS** when pouring **VERY HOT WATER** into the container.

3

Carefully fill with 1 cup (approx. 350-400ml) of hot water and use the funnel to securely close the cap.



Once the indicator window turns green, the bather is then warmed up to a safe temperature and ready for use.

ALTERNATIVELY, YOU DO NOT NEED TO LOOK AT THE INDICATOR, SIMPLY WAIT A FEW MINUTES AND START USING.

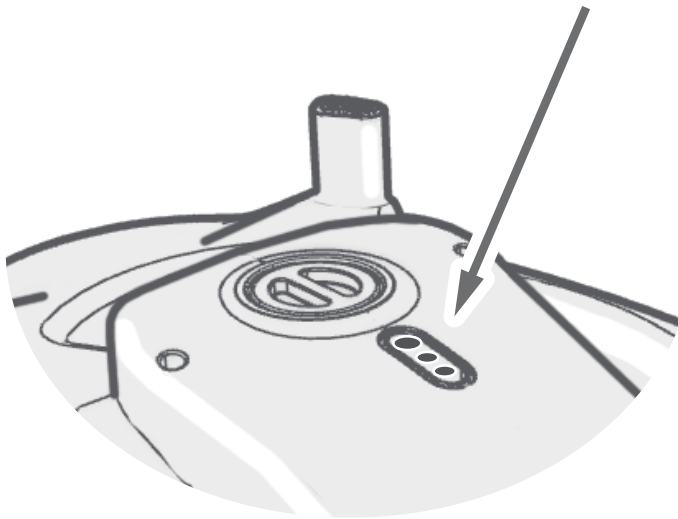
Instructional video is available at www.babypatent.com

- Gently lay your baby in the bather and enjoy a safe, comfortable & warm bath time.
- The ergonomic design along with the anti-slip pad will help keep your baby in the correct position.
- Fast warming system: quick, simple and easy to use, rapidly warms up to a safe temperature.
- **Keeps warm up to 90 minutes before bath time begins!**
- **Keeps warm at a safe temperature for up to a full 15 minutes during bath time.**
- ONLY once bath time begins the bather will keep a safe and warm temperature for up to a full 15 minutes.
- Once the ForeverWarm is warmed up, there is a significant amount of flexibility with timing your baby's bath time. (you have up to 90 minutes to start bath time)
- For the next use, simply empty the water from the compartment (underneath your ForeverWarm) and fill it with fresh hot water. Enjoy a warm and cosy bath every time.

USING YOUR FOREVERWARM™ BATHER



Before placing baby into the infant tub, please be sure to test the temperature of the water in, or flowing into, the infant tub.



1

Keeps warm up to 90 minutes before bath time begins!
Keeps warm with a safe temperature up to a full 15 minutes
DURING bath time.



2

Fill the bath with water to a depth of no more than 5 inches/12.7 cm, or just enough water to cover the internal plastic parts of the bath.



- The ForeverWarm™ does not warm the water inside the tub.
- Babies are most vulnerable to drowning when under 12 months old.
- Ideal bath temperature for babies is between 95 and 100°F (35 and 38°C).

For maximum safety, it is recommended that your home water heater be set at a temperature no higher than 120° F (49° C) at the faucet, as recommended by the American Academy of Pediatrics.

We recommend that you always check the water temperature with your hand prior to placing the infant into the tub as an added precaution.

- The ForeverWarm™ is intended for use from birth to max 6 months or maximum 17lb (8 Kg).

CARE AND MAINTENANCE:

- Always clean the bath with a non-abrasive detergent and wipe with a damp cloth.
- Do not use the bath if anything is broken or missing.

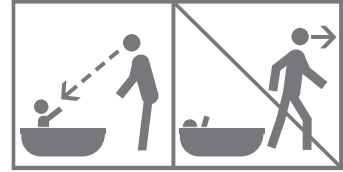
STORAGE:

- Ensure bath is clean and dry before storing.
- Do not drag the tub





**WARNING: DROWNING HAZARD
NEVER LEAVE YOUR BABY
UNATTENDED IN THE
FOREVERWARM™ BATHER**



Infants have **DROWNED** in infant bath tubs.

ALWAYS keep infant within adult's reach.

NEVER lift this product with child in it.

NEVER place this product in water in an adult bath tub or sink.

ALWAYS keep the drain open in the adult bath tub or sink.

ALWAYS bathe your infant in as little water as necessary.

NEVER allow other children to substitute for adult supervision.

Discontinue use of product if damaged, broken, or disassembled.

Handle product with care to prevent damage.

**forever
warm**
By baby patient

SKU: FWBP10001



Scan this code to see
the ForeverWarm™ in
action!

IP PROTECTED
Patents, Designs & Trademarks

Kooltrade Ltd. 3 Orbital Way Denton, UK

Made in China

Item: ForeverWarm™ The Warming Baby Bather

www.theaquascale.co.uk