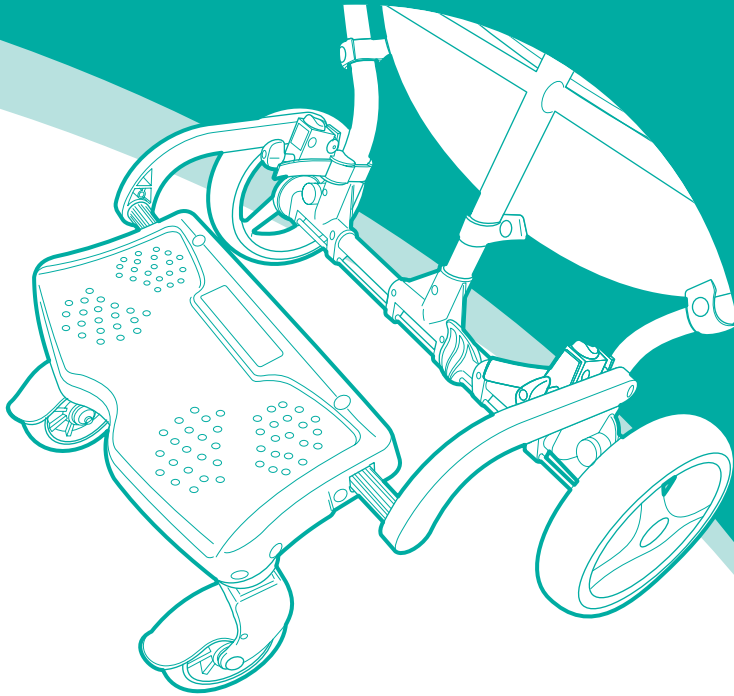




On Board

Instruction manual



INSTRUCTIONS: Please read carefully and keep for future reference. Your child's safety may be affected if you do not follow these instructions. Safety of your child is your responsibility.

This stroller board is intended for children from 2yrs up to 20kg.

This product is tested to: BS EN 1888-1:2018 +A1:2022

Safety instructions

1. **WARNING:** Never leave your child unattended.
 2. **WARNING:** Ensure that all the locking devices are engaged before use.
 3. **WARNING:** To avoid injury ensure that your child is kept away when unfolding and folding this product.
 4. **WARNING:** Do not let your child play with this product.
 5. **WARNING:** Check that the pram body, pushchair body or seat unit attachment devices are correctly engaged before use.
 6. **WARNING:** This product is not suitable for running or skating.
7. **WARNING!** Intended for use with children from 2 years old up to 20kg (44lb).
 8. **WARNING!** Your child must step off the board before you attempt to:
 - Go up or down steps, kerbs, stairs or escalators,
 - Manoeuvre backwards,
 - Go round sharp turns,
 - Use the board on rough or uneven ground,
 - Go onto soft surfaces e.g. snow, deep mud, soft sand, long grass.
 9. **WARNING!** An adult must hold the pushchair handles tightly with both hands at all times.
 10. **WARNING!** Make sure your child is standing with both feet on the board before pushing the pushchair.
 11. **WARNING!** Check all connectors, arms and the wheels of the stroller board as well as the pushchair before using it, and ensure that all connectors and locking mechanisms are tightened prior to use.
 12. **WARNING!** Do not use this stroller board if any parts are broken or missing or worn.
 13. **WARNING!** Never let children play with the stroller board. When not in use, store away from children's access.
 14. **WARNING!** Always disconnect your stroller board before folding your pushchair. On some pushchair models you may need to disassemble the connectors as well.
 15. **WARNING!** This product is only intended for one passenger.
 16. **WARNING!** The board is only designed to be used if there is a child in the pushchair.
 17. **WARNING!** The board must never be attached to the brakes, to any non-loadbearing elements, or to any moving part of the pushchair.

This product complies with BS EN 1888-1:2018 +A1:2022

Care and maintenance

Regularly inspect all locking devices and connectors before using the stroller board. If you have any difficulty with the wheels, ensure that dirt is not the cause. Use a silicone based lubricant for the wheels. Sponge clean with warm water and mild detergent. Always allow to dry or use a cloth to dry before using or storing.

Your 3 year warranty

Whilst we make and test our products to the highest standards of durability there's always a small chance of a hiccup! Our promise is to repair, replace or refund a MyChild product that has an identified manufacturing defect from the date of purchase for a full 3 years thereafter at no extra cost.

However, you must register within 28 days of the date of purchase to receive the full 3 years guarantee!

To receive your full guarantee you can register your product by: visiting www.mychild.co.uk/warranty.html and complete the warranty form, or by telephone on 0161 335 2508.

Welcome

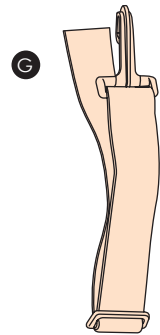
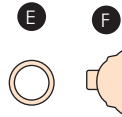
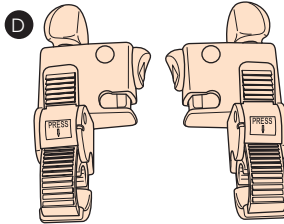
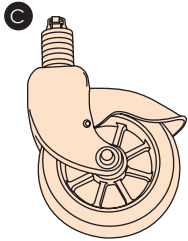
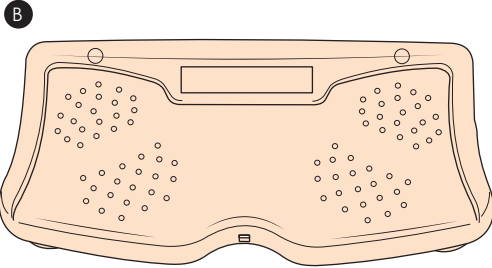
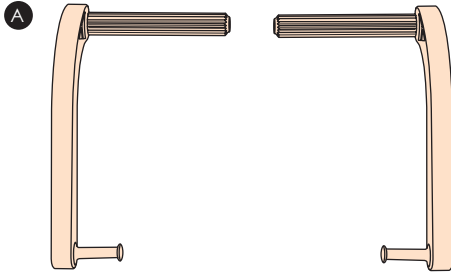
Thank you for purchasing the MyChild On Board.
Please read the instructions and warnings carefully before use to ensure safe and satisfactory operation of this product.

Your child's safety is your responsibility. If you have a query with this product or require replacement parts, please contact the MyChild Helpline on 0161 335 2508.

Lay out the parts on a soft level surface and compare to the part/fixings checklist below. Do not discard any packaging until you are sure that you have all the parts.

WARNING! Assembly by an adult. Keep away from children until fully assembled. Keep children clear during assembly as pack contains small parts which may present a choking hazard.

Parts checklist

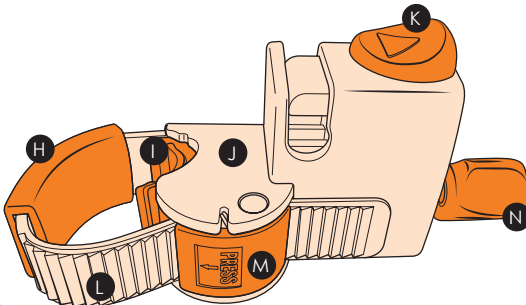


Contained in your carton are:

N°	Part	Qty
A	Arms (left and right)	2
B	Buggy board platform	1
C	Wheels	2
D	Connectors (left and right)	2
E	Wheel housing washers*	2
F	Adapters (for square tubing)	2
G	Storage strap	1

*Washers may be pre-fitted, loose (in the box) or in the sealed plastic bag with the storage strap.

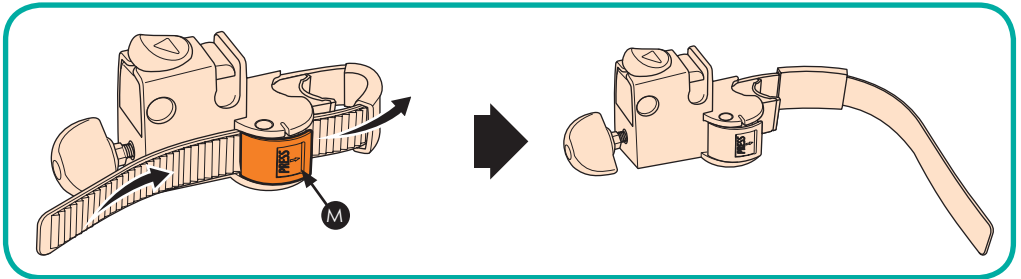
Connector parts



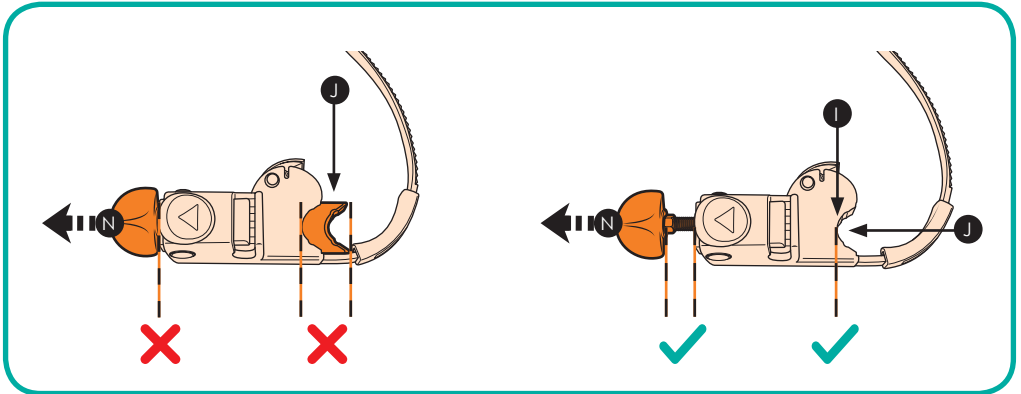
N° Part

H	Gripper pad
I	Block
J	Body
K	Quick release button
L	Strap
M	Strap lock
N	Block screw

Fitting guide - Preparing the connectors for fitting



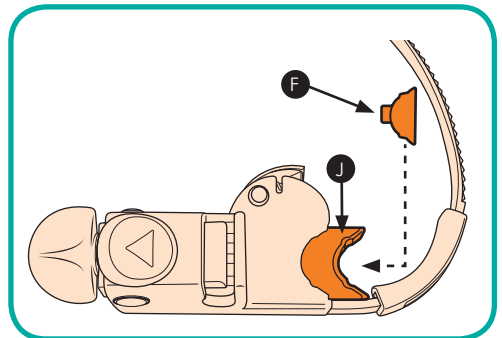
1. To get the connectors ready for fitting on the pushchair, press the strap lock (M) and release the strap (L).



2. Unscrew block screw (N) until the block (J) is fully retracted as in Fig2. Block (J) should be flush with the connector body (I), if it is sticking out then push it in.

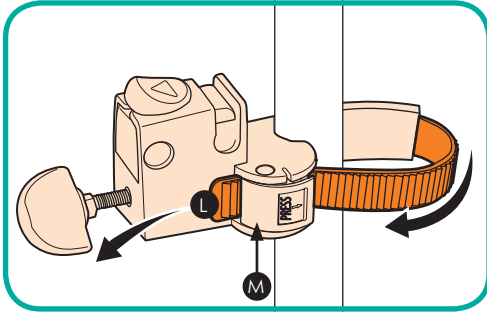
IMPORTANT: Ensure block (J) is fully retracted. Failure to do so may make it more difficult when fitting to strollers with thicker leg tubing.

3. If you intend fitting the connectors to square or rectangular tubing then insert the adapters (F) into block (J) before attaching the connectors.

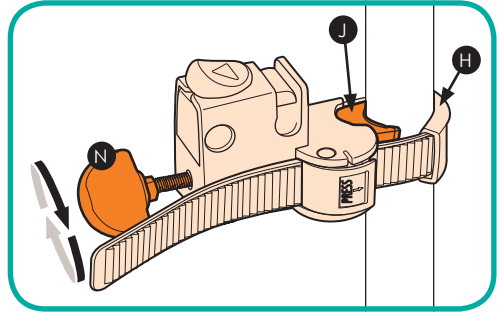


Fitting guide - Attaching connectors to chassis tubing

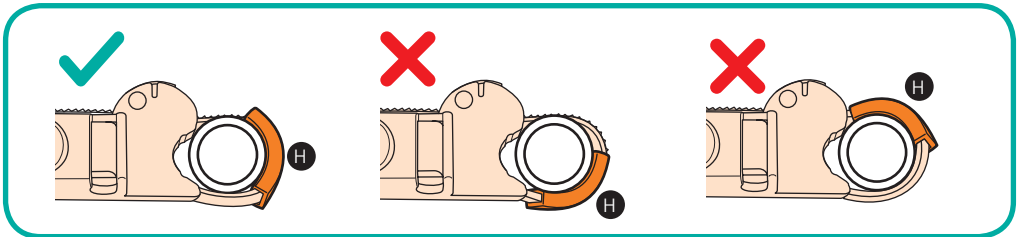
IMPORTANT: Ensure block (J) is fully retracted. Failure to do so may make it more difficult when fitting to strollers with thicker leg tubing.



1. Pass strap (L) around the chassis tubing and through strap lock (M). Pull Strap (L) as tightly as possible through strap lock (M) (you may need to wiggle the connector left and right to achieve this).



2. Ensuring both connectors are at the same height and gripper pad (H) is positioned correctly (see step 3 below for details), tighten block screw (N) as far as possible until block (J) is tightened fully against the leg tubing.

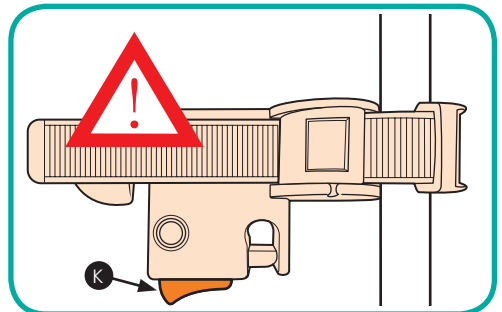


3. Ensure the gripper pad (H) is positioned correctly to provide the best grip and protection regardless of tube diameter.

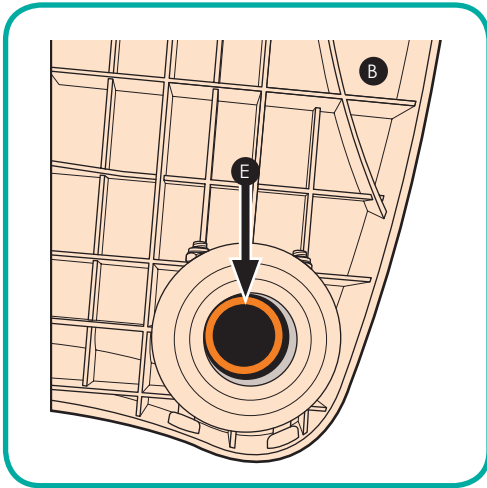
ATTENTION: Ensure the connectors are gripping the tube firmly before attaching the board.

WARNING!

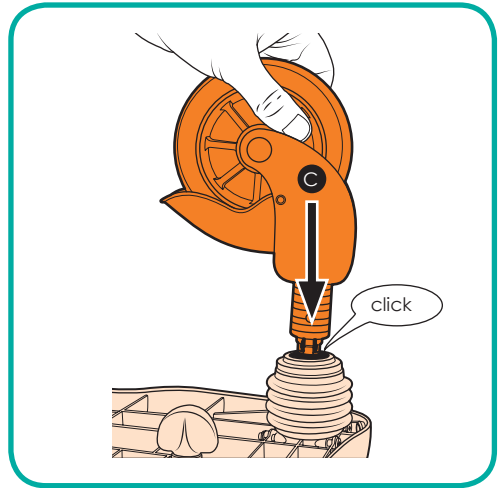
DO NOT attach the connector upside down (i.e. with the quick release button (K) underneath)!



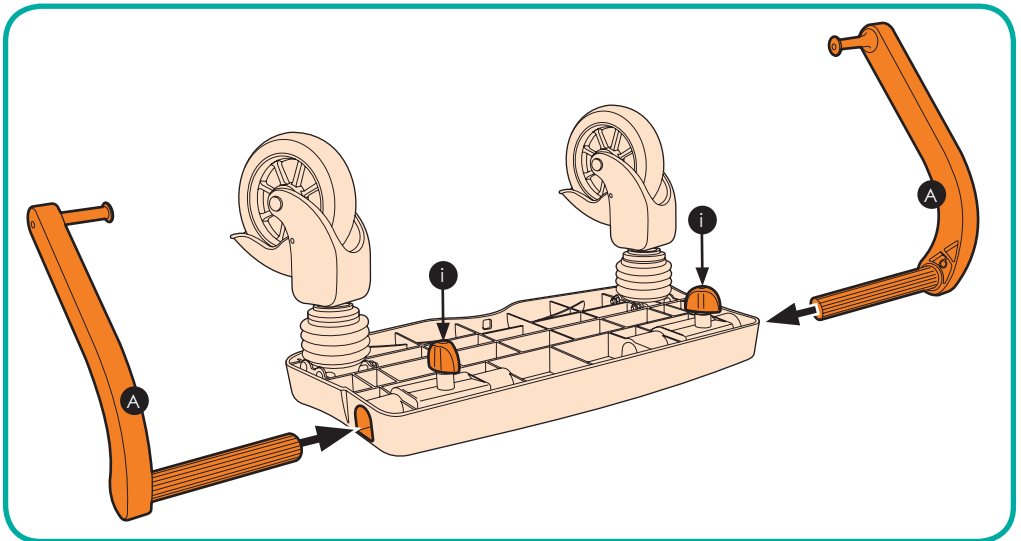
Fitting guide - Buggy Board Assembly



1. Place the buggy board platform (B) upside down on a sturdy surface.
IMPORTANT: If the washers (E) are loose in the box, or in the bag with the storage strap, place them into the wheel housing as shown in the picture.

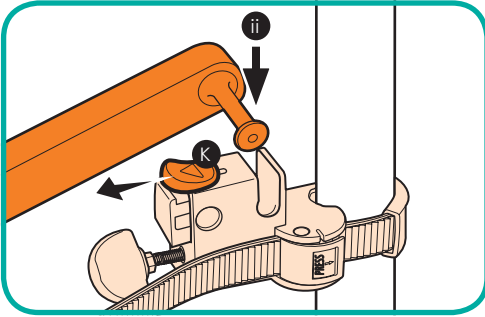


2. Align the wheels (C) to the wheel housing and push the wheels firmly into the housing unit until you hear a "click".

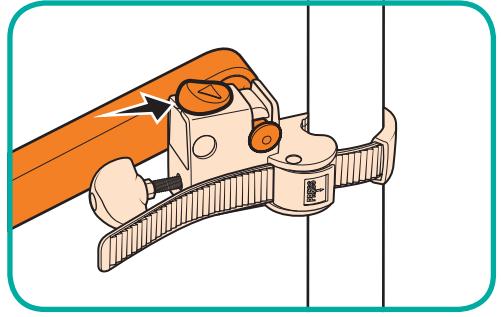


3. Loosen screws (i) enough until you can easily insert and rotate support arms (A).

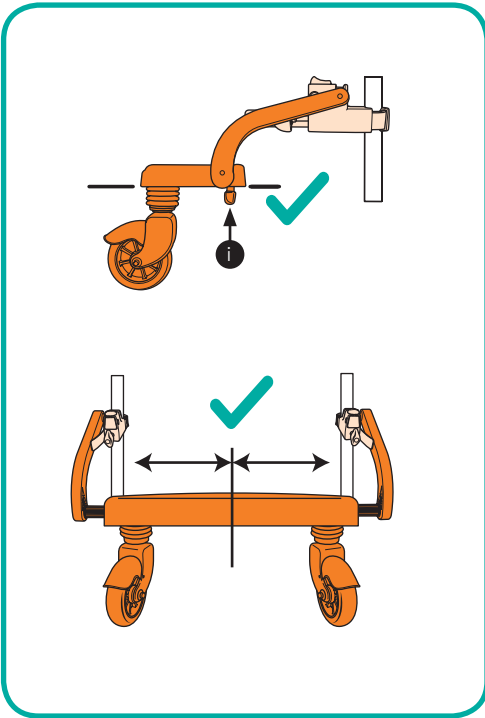
Fitting guide - Attaching buggy board to connectors



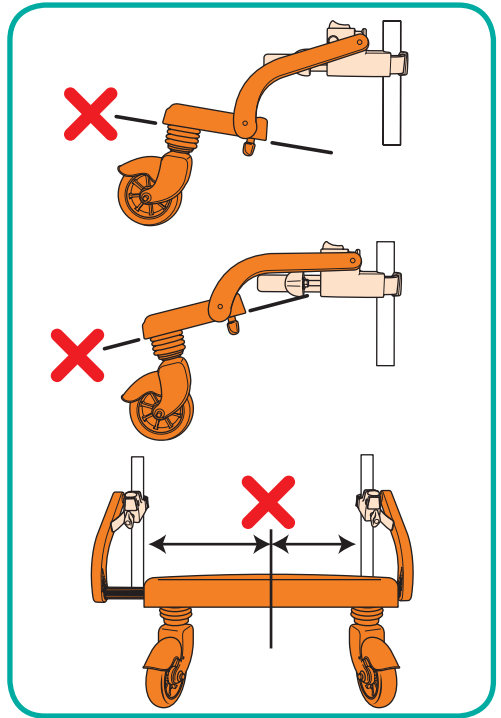
1. Slide out the quick release buttons (K) and insert the arm pins (ii) into the connectors.



2. Slide back the quick release buttons to lock the arm pins in place.



3. Adjust the board so it is both central between the two arms and level. Tighten the screws (i) underneath the board to lock the board into position.

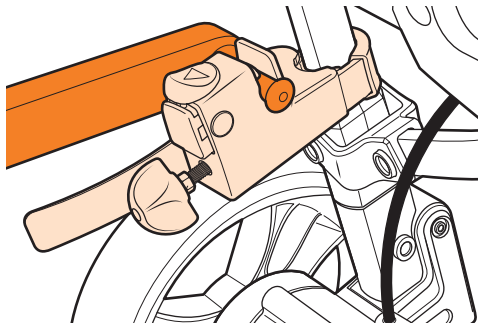
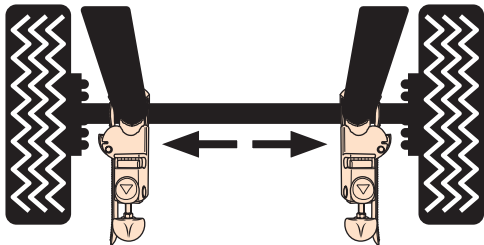


IMPORTANT: If the board is not central or not level then adjust the board and arms or reposition the connectors until everything is correct.

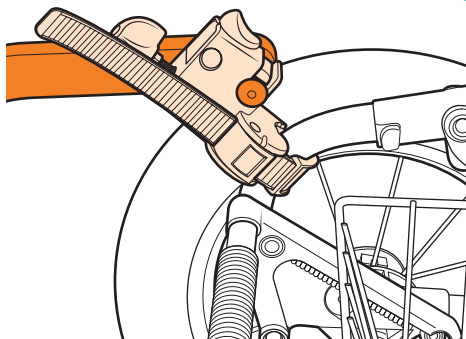
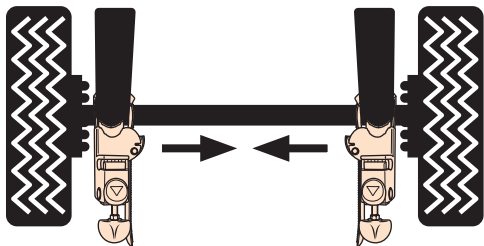
Fitting tips - Strap facing outward or inward?

The strap side of the connector sticks out a little bit, so it needs slightly more clearance space. If both sides of the connector have space (this means they are not touching the wheels or moving parts) then this is not an issue.

1. **Outward** = facing the wheel.



2. **Inward** = the two straps will be facing each other.

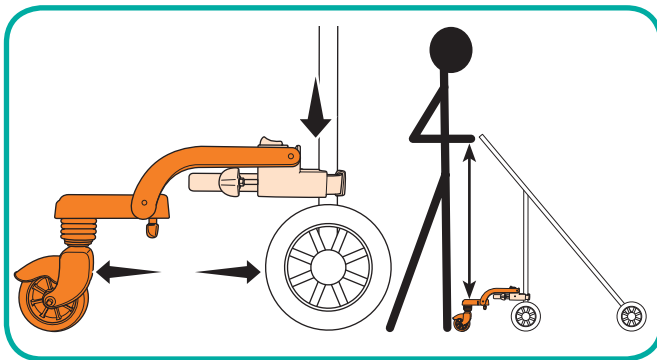


Fitting tips - High-up or low-down (Pros and Cons)

1. If you fit the connectors low down **[RECOMMENDED]** the board will be further away from the pushchair.

Pro. More suitable for taller children and maybe easier for the adult to reach the brakes.

Con. Less stride room for adults.

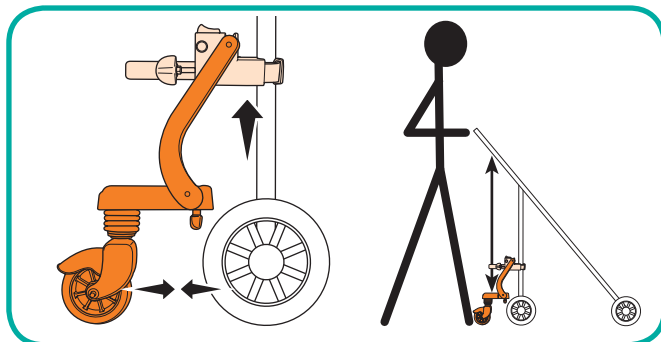


Fitting tips - High-up or low-down (cont)

2. If the connectors are high up on the leg then the board will be nearer to the pushchair.

Pro. More stride room for adults.

Con. Less suitable for taller children, and perhaps less easy for the adult to reach the brakes.



Fitting tips - Fold it first

- Does your pushchair still fold with the connectors on the legs?
- Fold it first. Then try to find a place on the legs where the connectors will fit.
- Now try to open and close the pushchair. If the connectors obstructs this action, then reposition them on the legs.
- There may be more than 1 place where the connectors fit that still allows the pushchair to fold.

NOTE: If you cannot find a place to fit the connectors while the pushchair is in the folded position, or opening/closing action is obstructed, then you may need to remove the connectors before you can fold the pushchair.

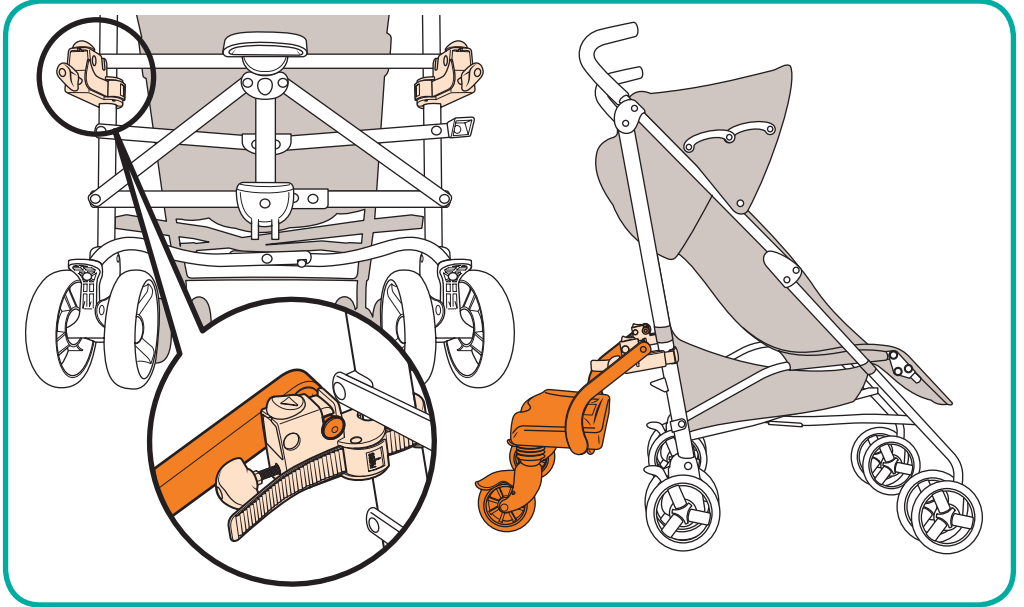
Fitting the board to different types of pushchair

The buggy board will fit a wide range of strollers and pushchairs. This guide aims to provide the steps for fitting the buggy board to some of the more common types of strollers and pushchairs such as:

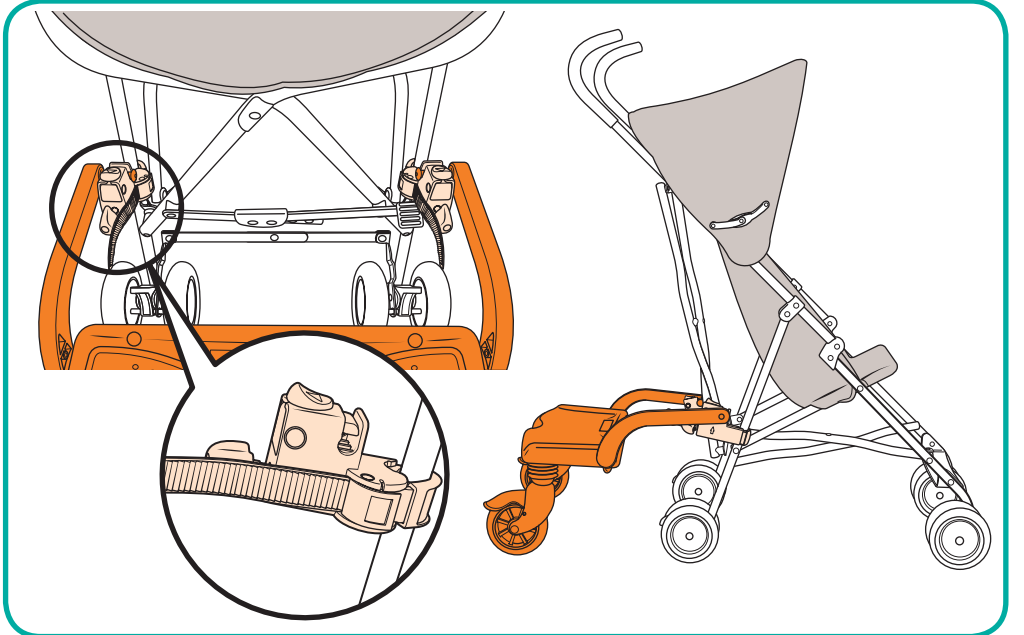
1. Large style umbrella folds	5. Classic frames
2. Small style umbrella folds	6. Modern frames
3. Doubles/Twins	7. Tandems
4. 3-Wheelers	8. 3-in-1 chassis

Locate the style of stroller/pushchair closest to the one you are wishing to fit the buggy board to.

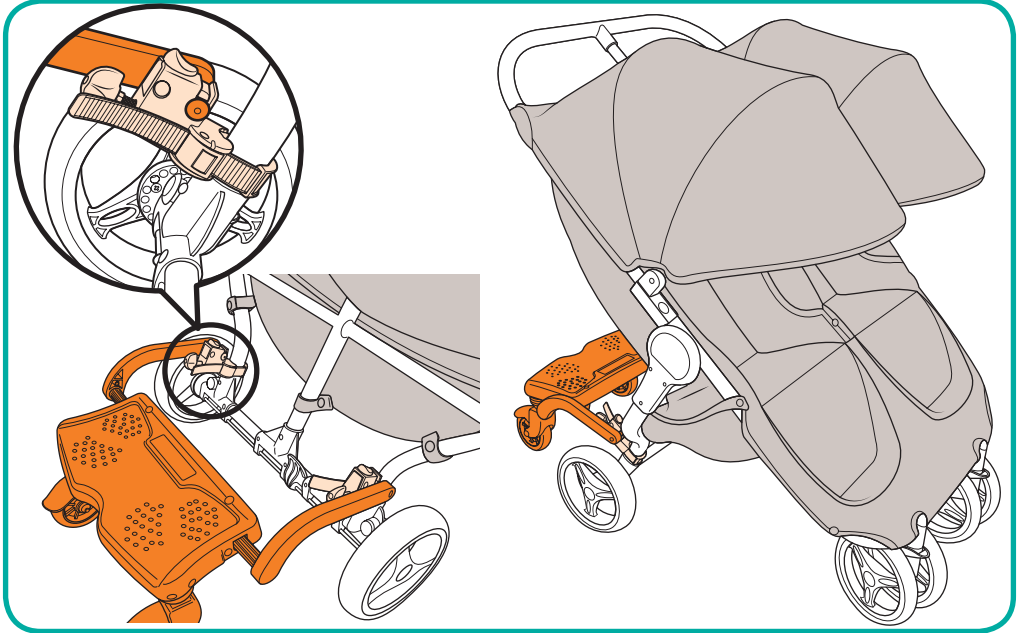
Fitting the board - **LARGE-style** umbrella fold strollers



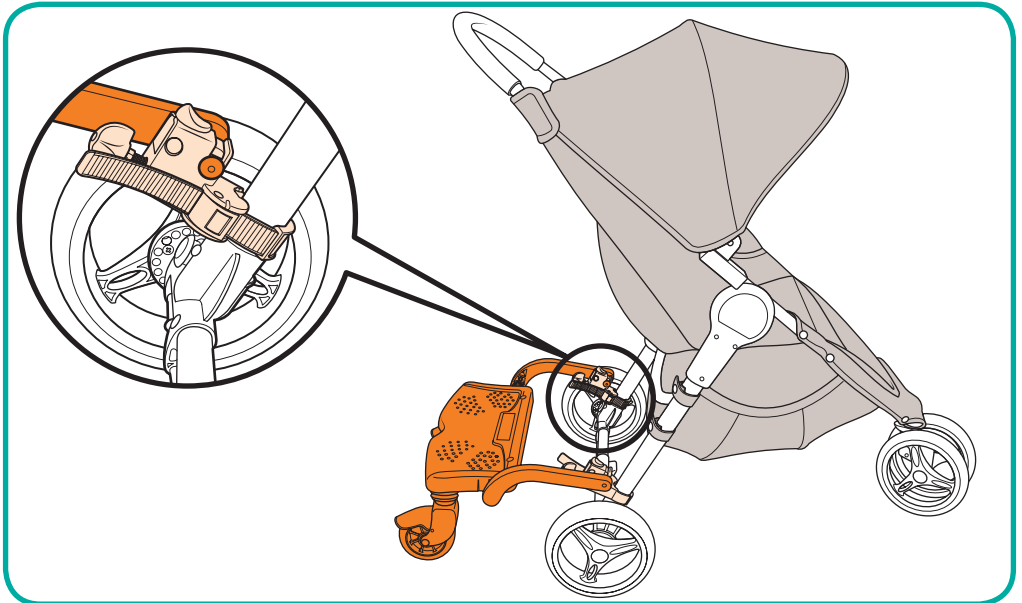
Fitting the board - **Small-style** umbrella fold strollers



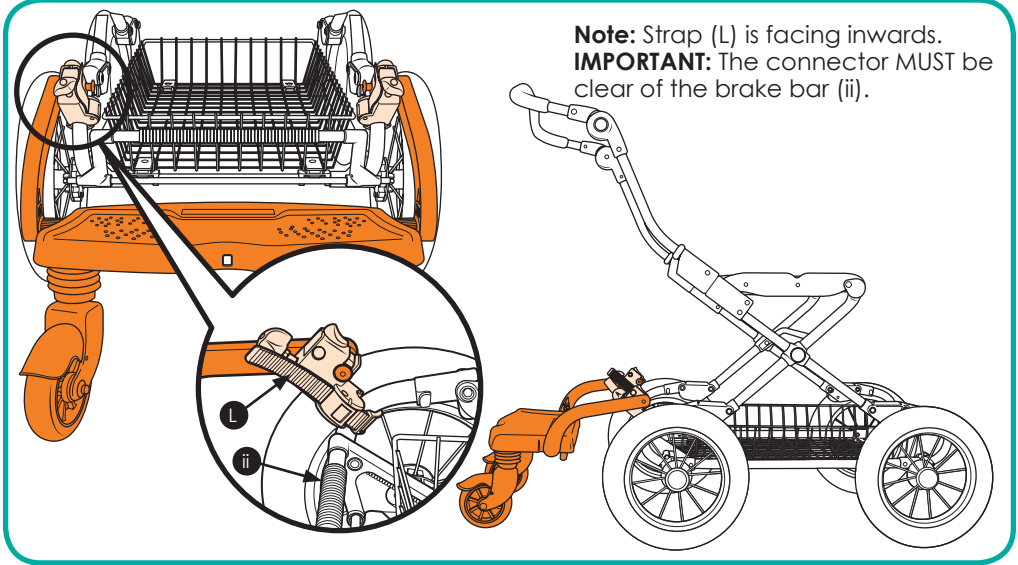
Fitting the board - **Double/Twin** strollers



Fitting the board - **3-Wheeler** strollers



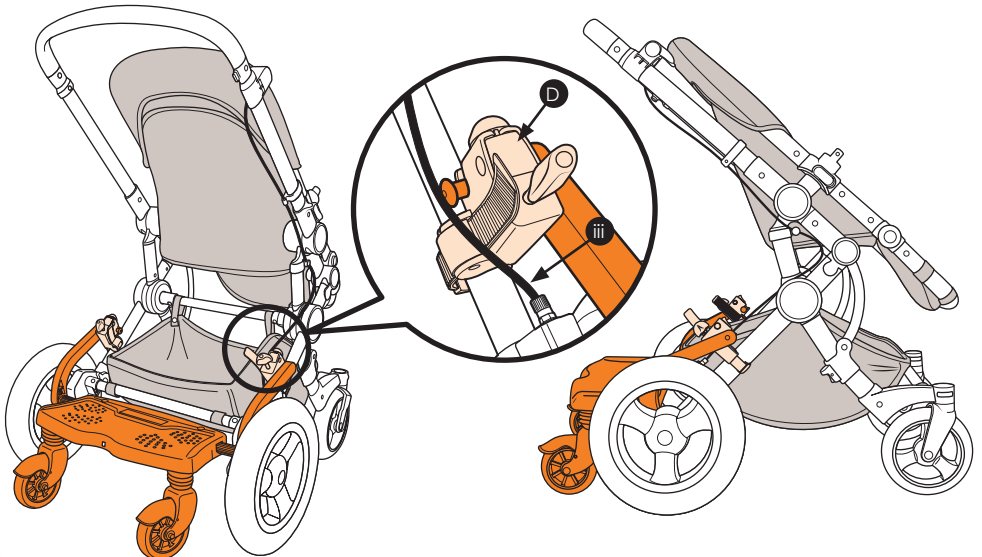
Fitting the board - *Classic Frame* strollers



Fitting the board - *Modern Frame* strollers

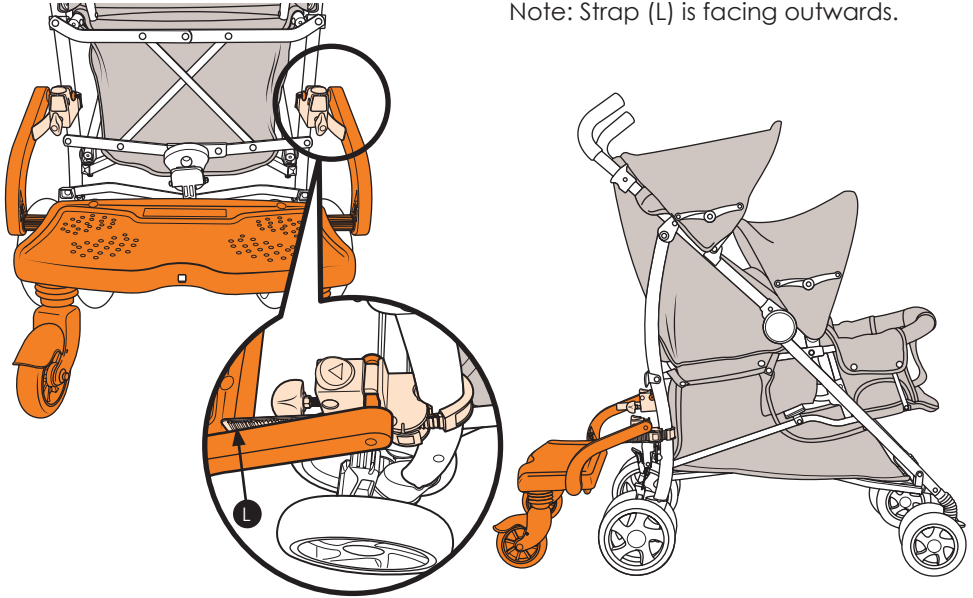
This design of frame has a brake wire (iii) running down the tube.

IMPORTANT: Make sure that the brake still works after you have attached the connector (D).



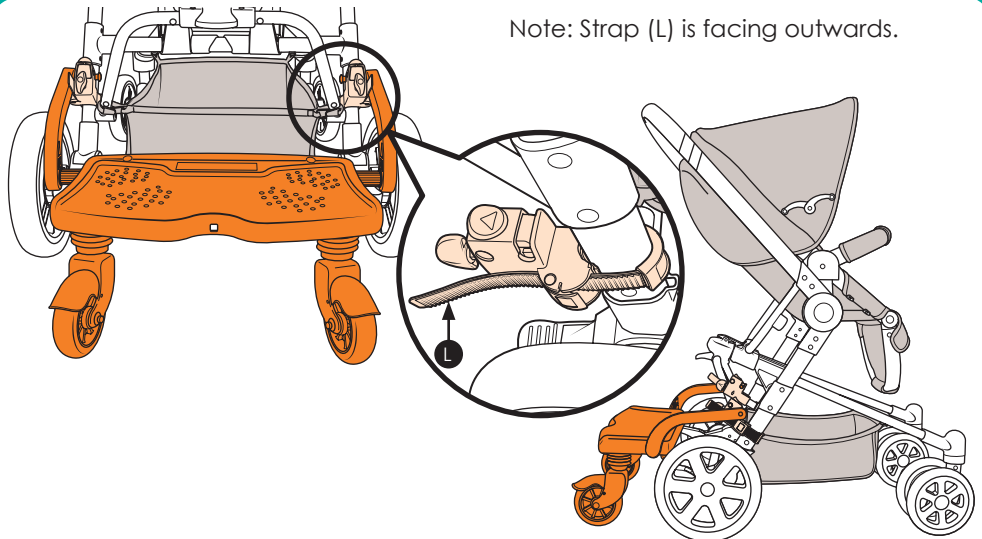
Fitting the board - **Tandem strollers** (1 seat behind another)

Note: Strap (L) is facing outwards.

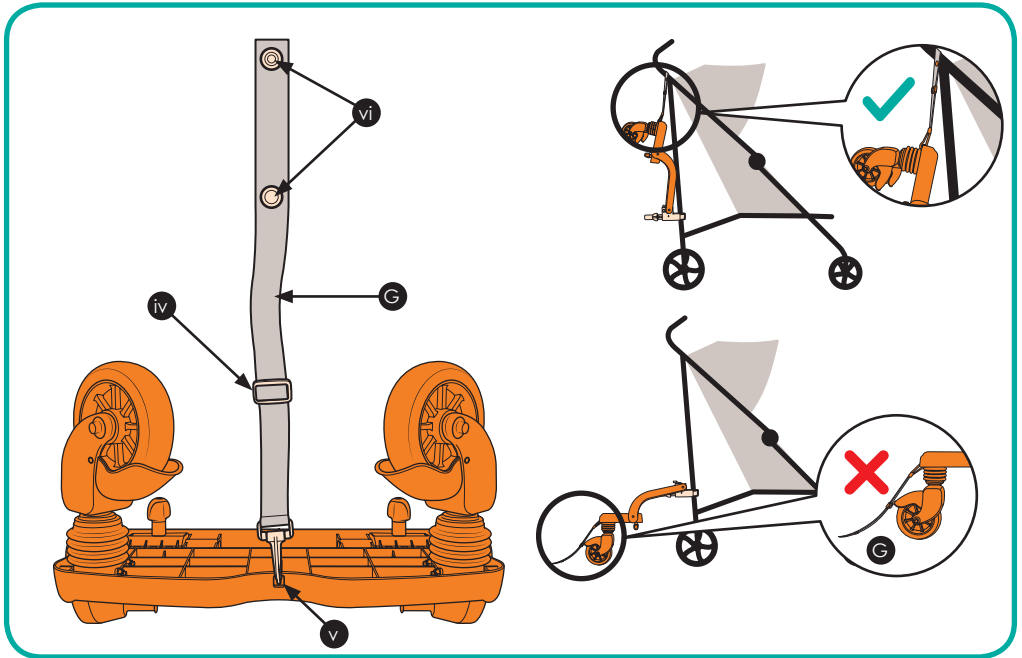


Fitting the board - **3-in-1 chassis**

Note: Strap (L) is facing outwards.



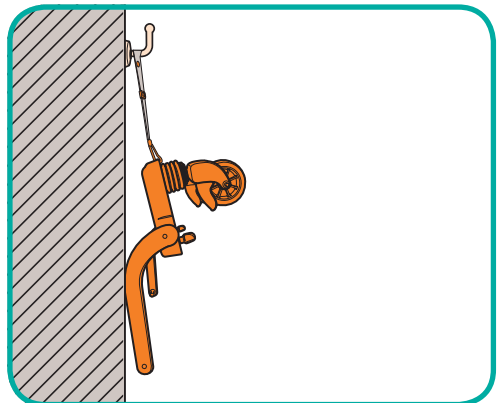
Storage strap



- Attach the storage strap (G) to the pushchair handle using press studs (vi).
- Attach the board to the pushchair (follow assembly and fitting guide).
- With the board still connected to the pushchair, fold the board up against the back of the pushchair. Adjust the slider (iv) till clip (v) reaches the board.
- With the board against the back of the pushchair, attach clip (v) to the board.

ATTENTION: Do not allow strap (G) to trail on the ground as it may be a trip hazard.

Storage strap can be used to hang the buggy board up in a cupboard until needed.





www.mychild.co.uk

Customerservice@kooltrade.co.uk
Imported by Kooltrade Ltd. M34 3QA
Tel: 0161 335 2508